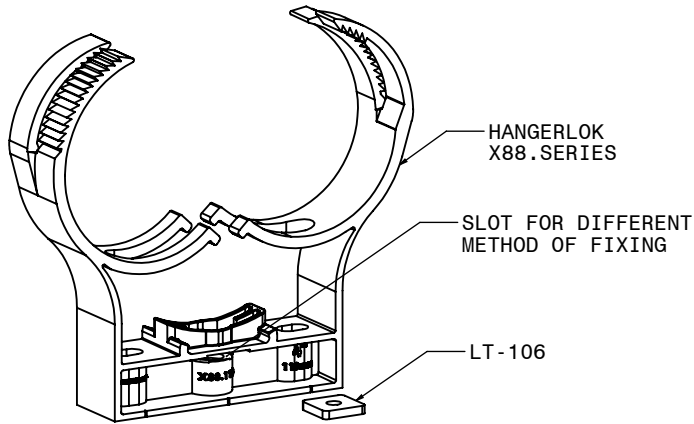
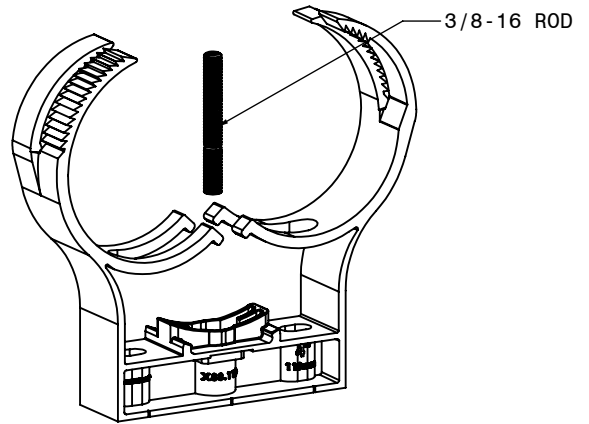


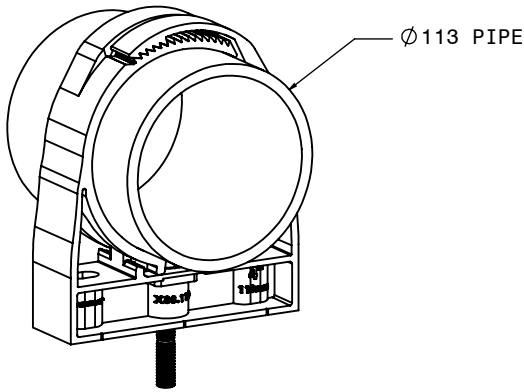
REVISIONS				
ZONE	REV.	DESCRIPTION	DATE	APPROVED
	A	INITIAL RELEASE	3/5/2013	



1. INSERT LT-106 3/8-16 TAPPED TO HANGERLOK SLOT.

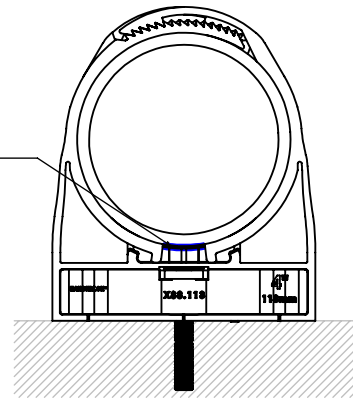



2. INSERT 3/8-16 THREADED ROD TO THE FLUSH ANCHOR.



3. LOCK THE HANGERLOK TO SECURING THE PIPE.

Note:
MAX HEIGHT OF
THREADED ROD



<p>PROPRIETARY AND CONFIDENTIAL</p> <p>THE INFORMATION CONTAINED IN THIS DRAWING IS THE SOLE PROPERTY OF LITCHFIELD INTERNATIONAL INC. ANY REPRODUCTION IN PART OR AS A WHOLE WITHOUT THE WRITTEN PERMISSION OF LITCHFIELD INTERNATIONAL INC. IS PROHIBITED.</p>			DIMENSIONS ARE IN INCHES TOLERANCES: FRACTIONAL ± ANGULAR: MACH ± BEND ± TWO PLACE DECIMAL ± THREE PLACE DECIMAL ±		NAME	DATE	 <p>Litchfield International Inc.</p>									
			MATERIAL	DRAWN	PDT											
			FINISH	CHECKED												
				ENG APPR.												
	NEXT ASSY	USED ON		MFG APPR.			<p>INSTALLATION WITH LT-106 3/8-16 TAPPED, 3/8-16 THREADED ROD AND FLUSH ANCHOR</p>									
			Q.A.													
			COMMENTS:													
	APPLICATION		DO NOT SCALE DRAWING				<table border="1" style="width: 100%;"> <tr> <td>SIZE</td> <td>DWG. NO.</td> <td>REV.</td> </tr> <tr> <td>A</td> <td>X88.113</td> <td></td> </tr> <tr> <td>SCALE: 1:4</td> <td>WEIGHT:</td> <td>SHEET 1 OF 1</td> </tr> </table>	SIZE	DWG. NO.	REV.	A	X88.113		SCALE: 1:4	WEIGHT:	SHEET 1 OF 1
SIZE	DWG. NO.	REV.														
A	X88.113															
SCALE: 1:4	WEIGHT:	SHEET 1 OF 1														