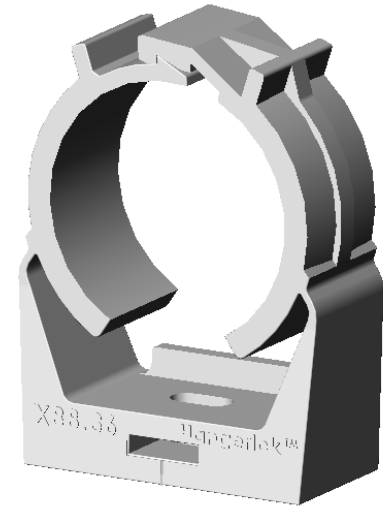
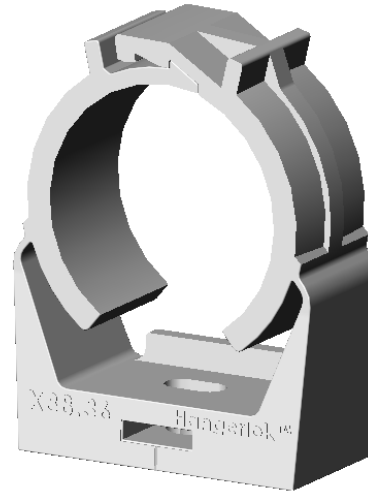





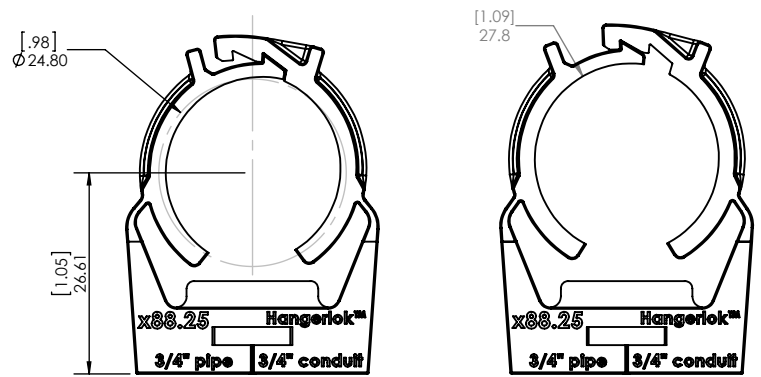
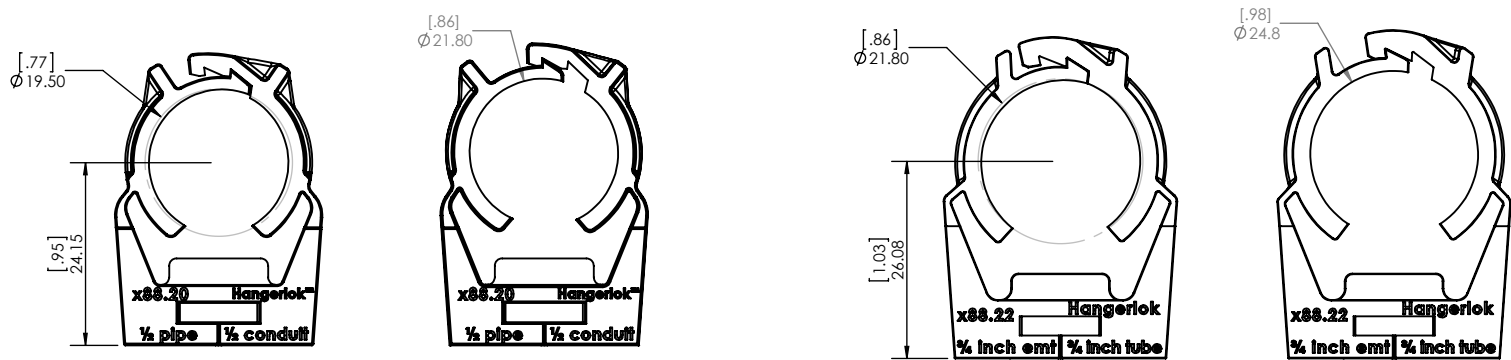
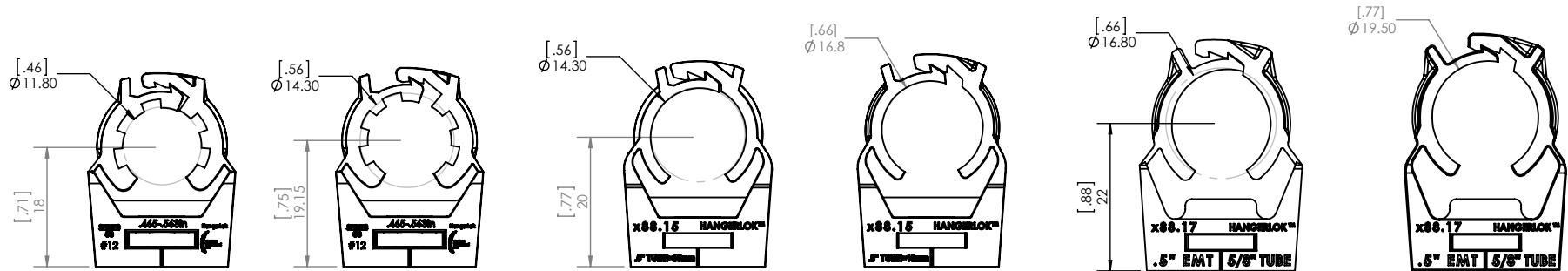
SIZE	CLAMPING RANGE ϕ		REMARKS
	MM	INCH	
12	11.8 - 14.3	.464 - .562	
15	14.3 - 16.8	.562 - .661	
17	16.8 - 19.5	.661 - .767	
20	19.5 - 21.8	.767 - .858	
22	21.8 - 24.8	.858 - .976	
25	24.8 - 27.8	.976 - 1.094	
28	27.8 - 31.2	1.094 - 1.228	
32	31.2 - 35.5	1.228 - 1.397	
36	35.5 - 39.5	1.397 - 1.555	
40	39.5 - 43.5	1.555 - 1.712	
47	46.5 - 50.5	1.712 - 1.988	
51	50.5 - 55.5	1.988 - 2.185	
59	58.5 - 64.0	2.185 - 2.519	



PROPRIETARY AND CONFIDENTIAL




THIS DRAWING AND INFORMATION HEREIN IS THE PROPERTY OF LITCHFIELD INTERNATIONAL INC., AND IS TO BE USED IN STRICT CONFIDENCE. THIS DRAWING SHALL NOT BE REPRODUCED, COPIED OR GIVEN TO ANY THIRD PARTY WITHOUT EXPRESSED WRITTEN PERMISSION FROM LITCHFIELD INTERNATIONAL INC.

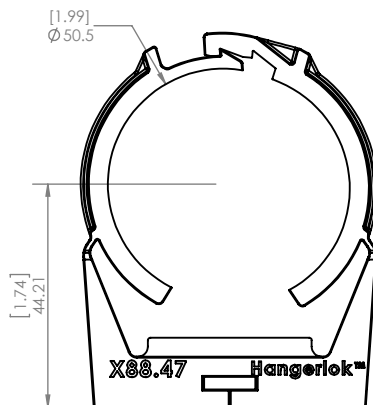
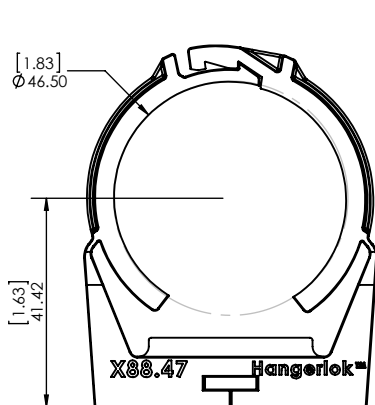
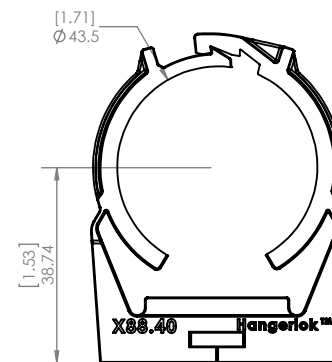
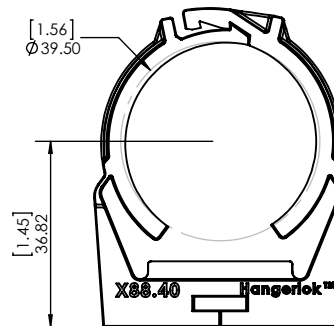
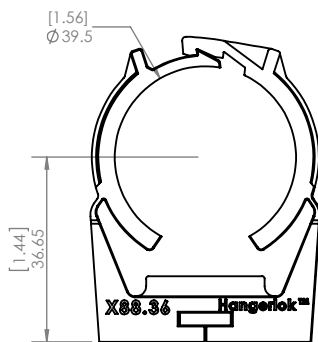
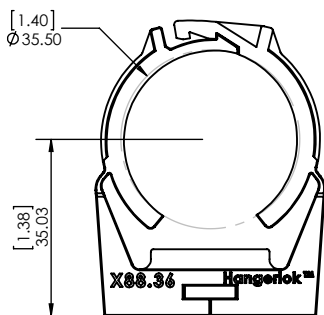
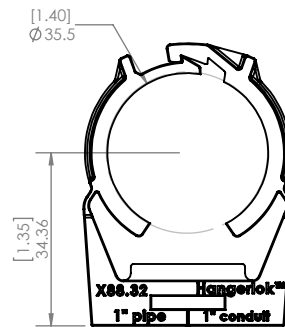
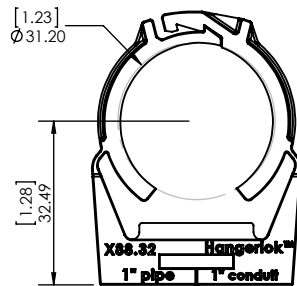
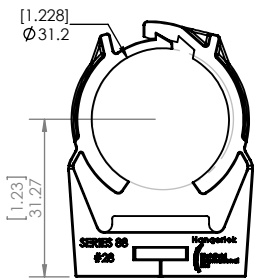
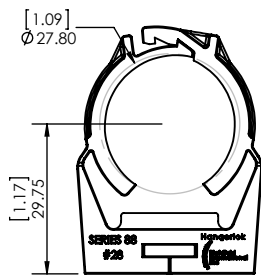
DIMENSIONS ARE IN: MM TOLERANCES UNLESS SPECIFIED .XXX ± 0.005 .XX ± 0.03 .X ± 0.01 ANGULAR $\pm 1^\circ$		NAME	DATE		Litchfield International Inc.
	DRAFTSMAN	PDT	8/12/2013		
	CHECKER			PART DESCRIPTION	
	DESIGNER			HANGERLOK ϕ 12mm to ϕ 59mm CLAMPING RANGE	
	APPROVED			ASSY NO.	PC PART NO.
MATERIAL	NYLON 66	RELEASE DATE			X88.XX
FINISH	SMOOTH	COMMENTS / REMARKS		SIZE	DWG. NO.
QUANTITY	SEE NOTE	1. WEIGHT : SEE NOTE 2. VOLUME : SEE NOTE		A	X88.SERIES
		SCALE:	1:1	 	REV. 01
					SHEET 1 OF 4



PROPRIETARY AND CONFIDENTIAL




THIS DRAWING AND INFORMATION HEREIN IS THE PROPERTY OF LITCHFIELD INTERNATIONAL INC., AND IS TO BE USED IN STRICT CONFIDENCE. THIS DRAWING SHALL NOT BE REPRODUCED, COPIED OR GIVEN TO ANY THIRD PARTY WITHOUT EXPRESSED WRITTEN PERMISSION FROM LITCHFIELD INTERNATIONAL INC.

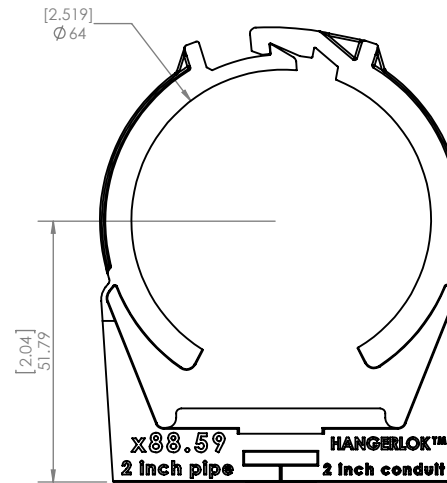
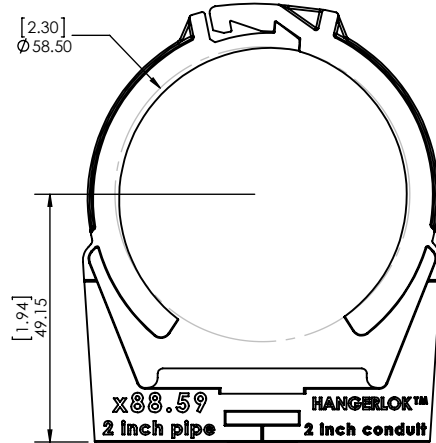
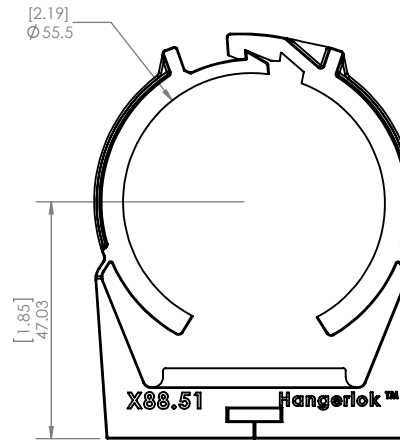
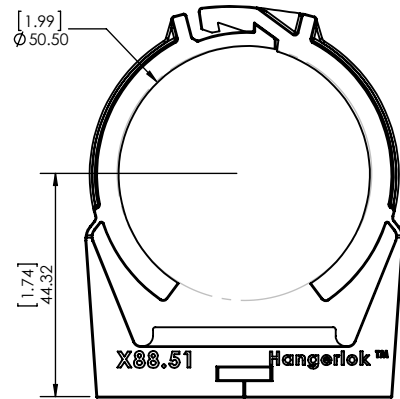
DIMENSIONS ARE IN: MM TOLERANCES UNLESS SPECIFIED .XXX ±0.005 .XX ±0.03 .X ±0.01 ANGULAR ±1°	DRAFTSMAN	PDT	DATE	8/12/2013	 Litchfield International Inc.				
	CHECKER					PART DESCRIPTION			
	DESIGNER					HANGERLOK Ø 12mm to Ø 59mm CLAMPING RANGE			
	APPROVED					ASSY NO. _____ PC PART NO. X88.XX			
MATERIAL	NYLON 66	RELEASE DATE			SIZE	DWG NO.	X88 SERIES	REV.	01
FINISH	SMOOTH	COMMENTS / REMARKS	1. WEIGHT : SEE NOTE 2. VOLUME : SEE NOTE		SCALE:	1:1	 	SHEET 2 OF 4	
QUANTITY	SEE NOTE								



PROPRIETARY AND CONFIDENTIAL

THIS DRAWING AND INFORMATION HEREIN IS THE PROPERTY OF LITCHFIELD INTERNATIONAL INC., AND IS TO BE USED IN STRICT CONFIDENCE. THIS DRAWING SHALL NOT BE REPRODUCED, COPIED OR GIVEN TO ANY THIRD PARTY WITHOUT EXPRESSED WRITTEN PERMISSION FROM LITCHFIELD INTERNATIONAL INC.

DIMENSIONS ARE IN: MM TOLERANCES UNLESS SPECIFIED		NAME	DATE	 Litchfield International Inc.
.XXX ±0.005 .XX ±0.03 .X ±0.01 ANGULAR ±1°		DRAFTSMAN	PDT	
MATERIAL		CHECKER	DESIGNER	PART DESCRIPTION HANGERLOK Ø12mm to Ø59mm CLAMPING RANGE
NYLON 66		APPROVED	RELEASE DATE	
FINISH		COMMENTS / REMARKS		SIZE DWG NO. X88.SERIES REV. 01
SMOOTH		1. WEIGHT : SEE NOTE 2. VOLUME : SEE NOTE		SCALE: 2:3
QUANTITY		SEE NOTE		  SHEET 3 OF 4



PROPRIETARY AND CONFIDENTIAL

THIS DRAWING AND INFORMATION HEREIN IS THE PROPERTY OF LITCHFIELD INTERNATIONAL INC., AND IS TO BE USED IN STRICT CONFIDENCE. THIS DRAWING SHALL NOT BE REPRODUCED, COPIED OR GIVEN TO ANY THIRD PARTY WITHOUT EXPRESSED WRITTEN PERMISSION FROM LITCHFIELD INTERNATIONAL INC.

DIMENSIONS ARE IN: MM TOLERANCES UNLESS SPECIFIED		NAME	DATE		Litchfield International Inc.	
.XXX	±0.005	DRAFTSMAN	PDT		8/12/2013	PART DESCRIPTION HANGERLOK Ø 12mm to Ø 59mm CLAMPING RANGE
.XX	±0.03	CHECKER			ASSY NO.	PC PART NO.
.X	±0.01	DESIGNER				X88.XX
ANGULAR	±1°	APPROVED				
MATERIAL	NYLON 66	RELEASE DATE			SIZE	DWG NO.
FINISH	SMOOTH	COMMENTS / REMARKS	1. WEIGHT : SEE NOTE 2. VOLUME : SEE NOTE		A	X88.SERIES
QUANTITY	SEE NOTE				SCALE:	1:1
						REV. 01
						SHEET 4 OF 4