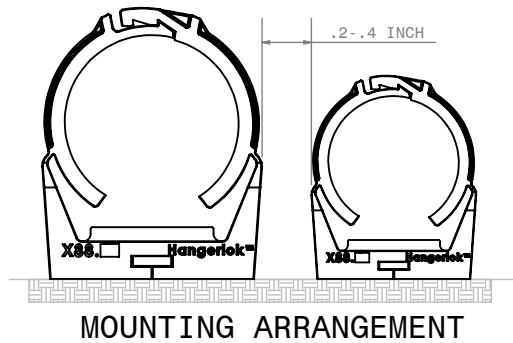
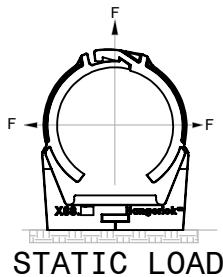
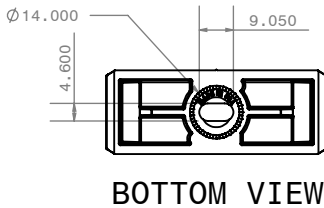
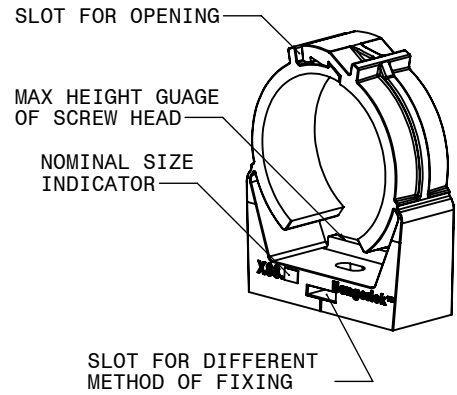
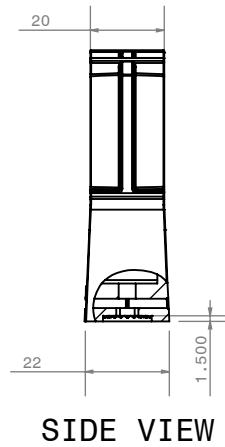
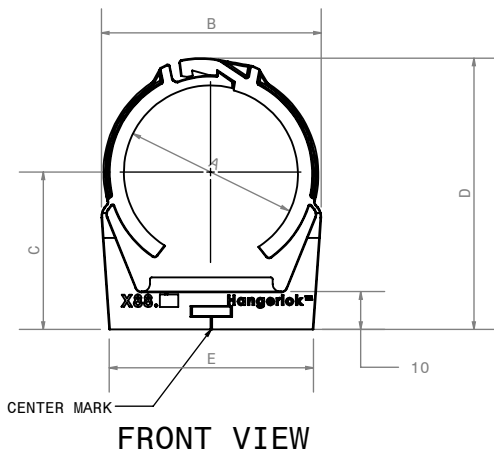



A CLAMPING DIAMETER max.	X88.XX	B max.	C max.	D max.	E	F STATIC/BREAK LOAD lbs.
0.374	#8	0.67	0.74	0.74	0.67	30
0.464	#10	0.67	0.71	0.71	0.67	30
0.563	#12	0.93	0.72	1.18	0.80	36
0.661	#15	0.93	0.73	1.20	0.80	40
0.768	#17	1.06	0.87	1.39	0.69	43
0.866	#20	1.16	0.93	1.55	0.98	45
0.898	#22	1.38	0.98	1.61	1.14	49
1.094	#25	1.41	1.06	1.78	1.20	54
1.229	#28	1.56	1.13	1.93	1.31	59
1.398	#32	1.76	1.27	2.14	1.50	68
1.555	#36	1.93	1.35	2.34	1.65	72
1.713	#40	2.09	1.43	2.53	1.82	81
1.988	#47	2.51	1.60	2.87	2.11	85
2.185	#51	2.64	1.74	3.10	2.31	90
2.520	#59	3.01	1.91	3.47	2.61	97



<p>PROPRIETARY AND CONFIDENTIAL</p> <p>THE INFORMATION CONTAINED IN THIS DRAWING IS THE SOLE PROPERTY OF LITCHFIELD INTERNATIONAL INC. ANY REPRODUCTION IN PART OR AS A WHOLE WITHOUT THE WRITTEN PERMISSION OF LITCHFIELD INTERNATIONAL INC. IS PROHIBITED.</p>			<p>DIMENSIONS ARE IN INCHES TOLERANCES: FRACTIONAL ± ANGULAR: MACH ± BEND ± TWO PLACE DECIMAL ± THREE PLACE DECIMAL ±</p>		NAME	DATE	 <p>Litchfield International Inc.</p>									
				MATERIAL	SEE NOTE	DRAWN		PDT								
				FINISH	SEE NOTE	CHECKED										
						ENG APPR.										
	NEXT ASSY	USED ON			MFG APPR.		<h1>CLAMPING SIZE</h1>									
	APPLICATION		DO NOT SCALE DRAWING		Q.A.											
				COMMENTS:												
							<table border="1" style="width: 100%;"> <tr> <td>SIZE</td> <td>DWG. NO.</td> <td>REV.</td> </tr> <tr> <td>A</td> <td>X88.XX SERIES</td> <td></td> </tr> <tr> <td>SCALE: 1:2</td> <td>WEIGHT:</td> <td>SHEET 1 OF 1</td> </tr> </table>	SIZE	DWG. NO.	REV.	A	X88.XX SERIES		SCALE: 1:2	WEIGHT:	SHEET 1 OF 1
SIZE	DWG. NO.	REV.														
A	X88.XX SERIES															
SCALE: 1:2	WEIGHT:	SHEET 1 OF 1														