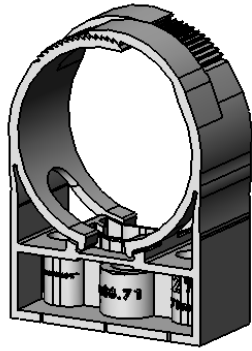
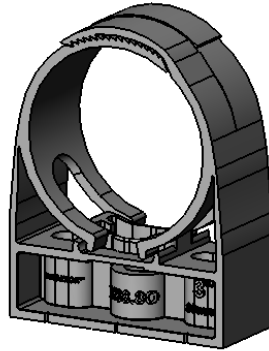


Ø 80mm
[3.15in]



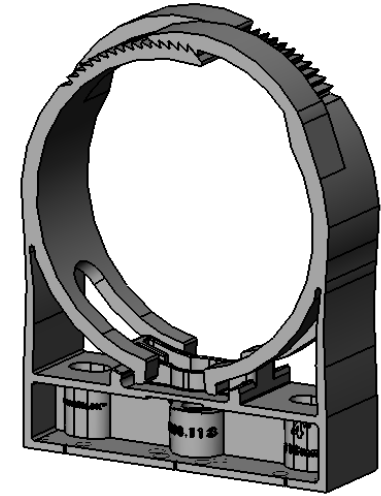
2ND POSITION

Ø 90mm
[3.54in]



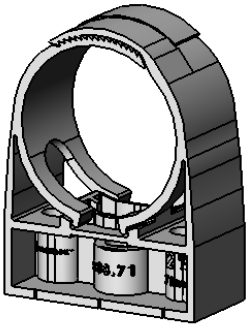
2ND POSITION

Ø 127mm
[5.0in]



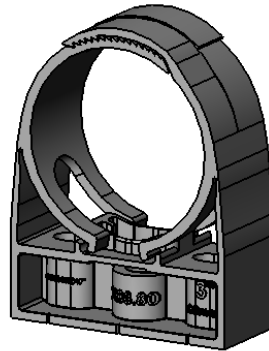
2ND POSITION

Ø 71mm
[2.5in]



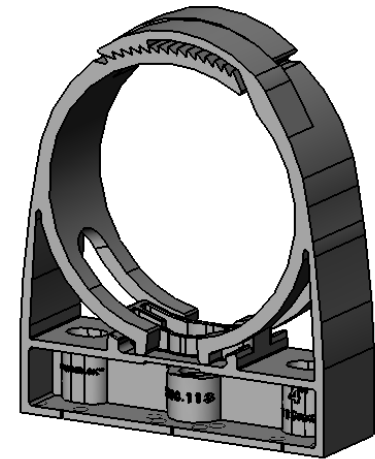
1ST POSITION

Ø 80mm
[3.0in]



1ST POSITION




Ø 113mm
[4.0in]

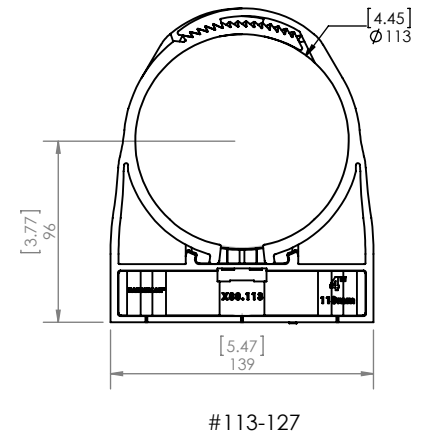
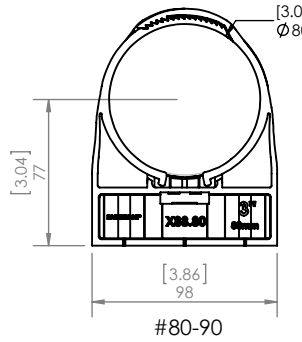
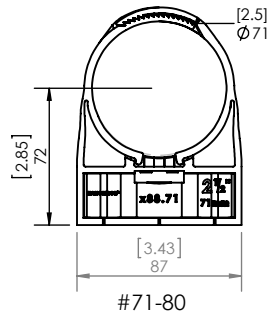
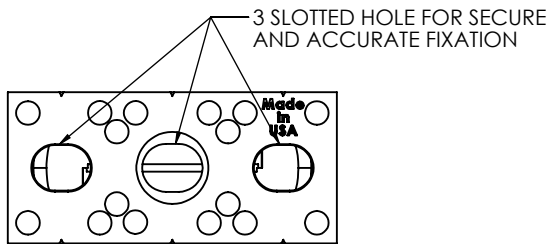
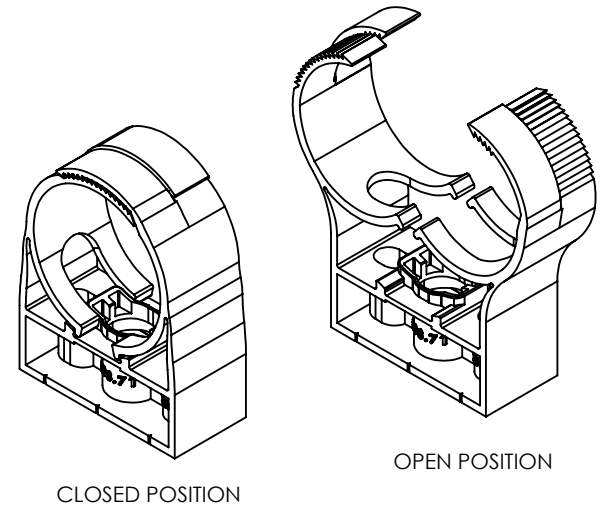
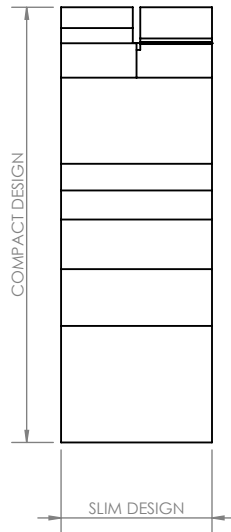
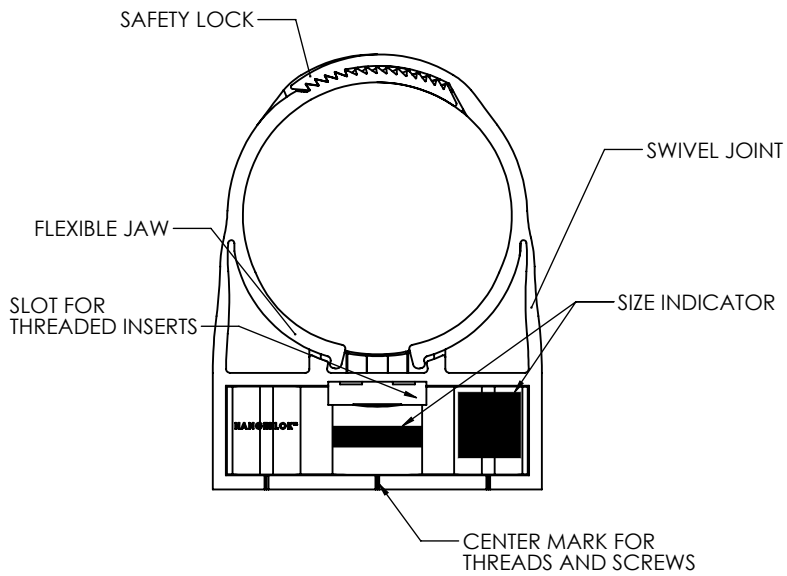


1ST POSITION

PROPRIETARY AND CONFIDENTIAL

THIS DRAWING AND INFORMATION HEREIN IS THE PROPERTY OF LITCHFIELD INTERNATIONAL INC., AND IS TO BE USED IN STRICT CONFIDENCE. THIS DRAWING SHALL NOT BE REPRODUCED, COPIED OR GIVEN TO ANY THIRD PARTY WITHOUT EXPRESSED WRITTEN PERMISSION FROM LITCHFIELD INTERNATIONAL INC.

DIMENSIONS ARE IN: MM TOLERANCES UNLESS SPECIFIED .XXX ±0.005 .XX ±0.03 .X ±0.01 ANGULAR ±1°		NAME	DATE	 Litchfield International Inc.
MATERIAL	SEE NOTE	DRAFTSMAN	PDT	
FINISH	SEE NOTE	CHECKER		
QUANTITY	SEE NOTE	DESIGNER		
		APPROVED		
		RELEASE DATE		
		COMMENTS / REMARKS		
		1. WEIGHT :		
		2. VOLUME :		
		PART DESCRIPTION	HANGERLOK Ø71mm to Ø113mm	
		ASSY NO.	PC PART NO.	X88.XX
		SIZE	DWG NO.	REV.
		A	X88.SERIES	01
		SCALE:	1:3	 
				SHEET 1 OF 2



PROPRIETARY AND CONFIDENTIAL

THIS DRAWING AND INFORMATION HEREIN IS THE PROPERTY OF LITCHFIELD INTERNATIONAL INC., AND IS TO BE USED IN STRICT CONFIDENCE. THIS DRAWING SHALL NOT BE REPRODUCED, COPIED OR GIVEN TO ANY THIRD PARTY WITHOUT EXPRESSED WRITTEN PERMISSION FROM LITCHFIELD INTERNATIONAL INC.

DIMENSIONS ARE IN: MM TOLERANCES UNLESS SPECIFIED .XXX ±0.005 .XX ±0.03 .X ±0.01 ANGULAR ±1°		NAME DRAFTSMAN PDT CHECKER DESIGNER APPROVED RELEASE DATE COMMENTS / REMARKS 1. WEIGHT : SEE NOTES 2. VOLUME : SEE NOTES	DATE 8/14/2013		Litchfield International Inc.	
MATERIAL NYLON 66 FINISH SMOOTH QUANTITY SEE NOTE	PART DESCRIPTION HANGERLOK Ø71mm to Ø113mm ASSY NO. PC PART NO. X88.XX	SIZE A DWG NO. X88.SERIES	REV. 05			
		SCALE: 1:3				SHEET 2 OF 2