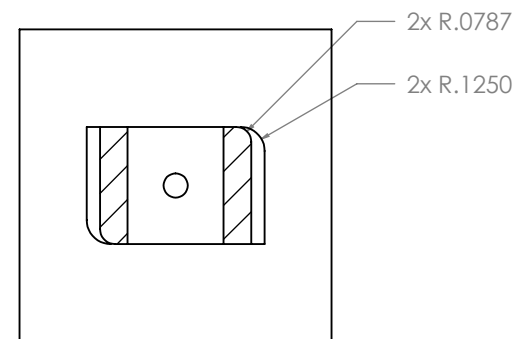
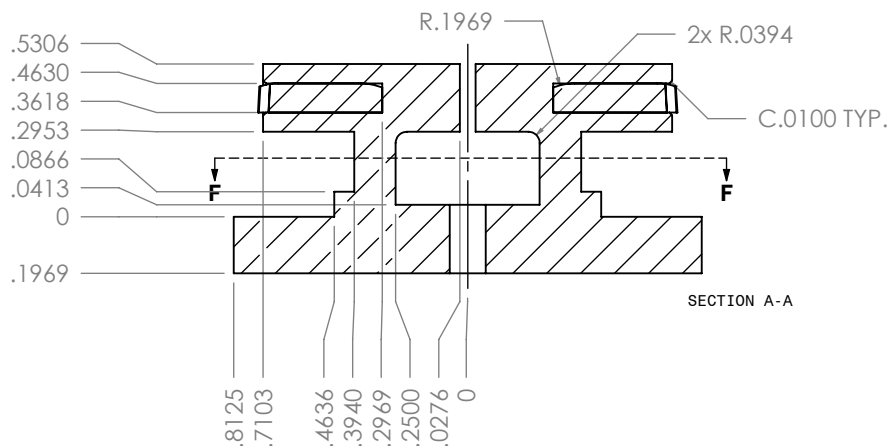


SECTION B-B



SECTION F-F
SCALE 1 : 1



SECTION A-A

PROPRIETARY AND CONFIDENTIAL

THIS DRAWING AND INFORMATION HEREIN IS THE PROPERTY OF LITCHFIELD INTERNATIONAL INC., AND IS TO BE USED IN STRICT CONFIDENCE. THIS DRAWING SHALL NOT BE REPRODUCED, COPIED OR GIVEN TO ANY THIRD PARTY WITHOUT EXPRESSED WRITTEN PERMISSION FROM LITCHFIELD INTERNATIONAL INC.

DIMENSIONS ARE IN: MM TOLERANCES UNLESS SPECIFIED		NAME	DATE	 Litchfield International Inc.
.XXX	±0.005	DRAFTSMAN	PDT	
.XX	±0.03	CHECKER		
.X	±0.01	DESIGNER		
ANGULAR	±1°	APPROVED	K. ELLETT II	
MATERIAL	SEE NOTE	RELEASE DATE		PART DESCRIPTION LT109
FINISH	SEE NOTE	COMMENTS / REMARKS		ASSY NO. _____ PC PART NO. LT109
QUANTITY	SEE NOTE	1. WEIGHT :		SIZE A DWG NO. LT109 REV 00 REV. 00
		2. VOLUME :		SCALE: 3:2   SHEET 2 OF 2