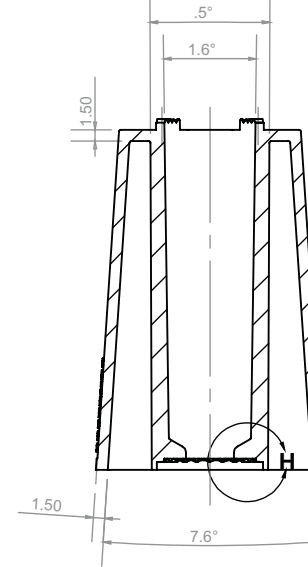
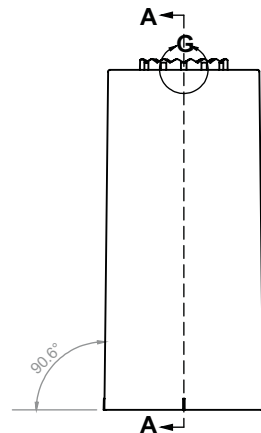
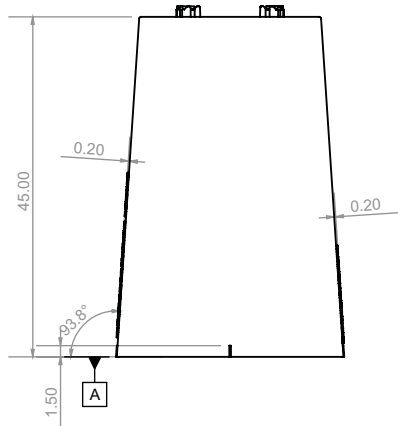
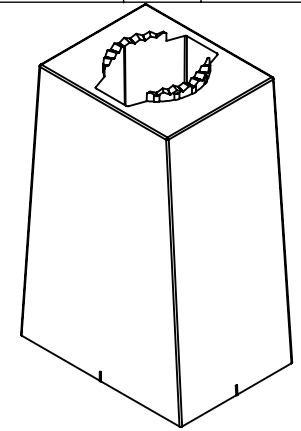
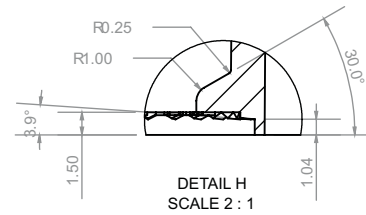
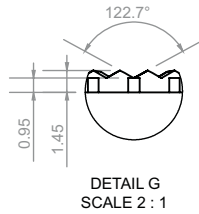
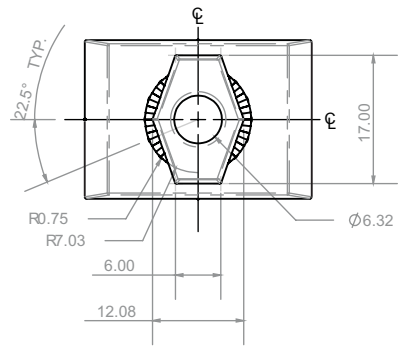
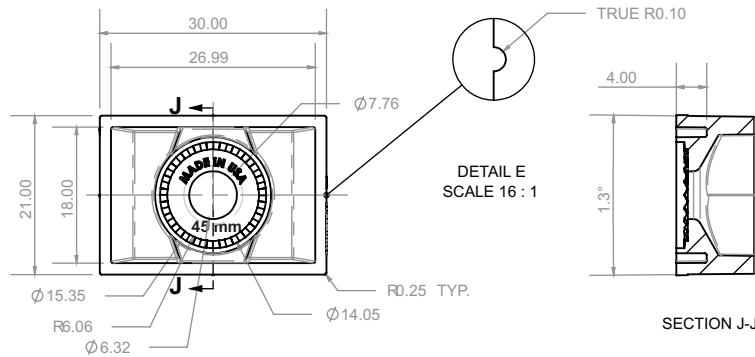


| REVISIONS | | | | |
|-----------|------|--|------|----------|
| ZONE | REV. | DESCRIPTION | DATE | APPROVED |
| | 00 | ADD MARKINGS | | |
| | 01 | Remove text and logo from sides. Added "45 mm" to bottom. | | |






SECTION A-A



SECTION J-J

PROPRIETARY AND CONFIDENTIAL

THIS DRAWING AND INFORMATION HEREIN IS THE PROPERTY OF PULSE INTEGRATED TECHNOLOGY INC., AND IS TO BE USED IN STRICT CONFIDENCE. THIS DRAWING SHALL NOT BE REPRODUCED, COPIED OR GIVEN TO ANY THIRD PARTY WITHOUT EXPRESSED WRITTEN PERMISSION FROM PULSE INTEGRATED TECHNOLOGY, INC.

| | | | | |
|--|--------------------|--------------|------------------|---|
| DIMENSIONS ARE IN: MM TOLERANCES UNLESS SPECIFIED .XXX ±0.005 .XX ±0.0 .X ±0.01 ANGULAR ±1° | DRAFTSMAN | NAME | DATE |  PULSE INTEGRATED TECHNOLOGY, INC. U601 Common Goal Tower cor Industry & Finance St. Madrigal Business Park, Alabang Muntinlupa City Tel 809-3718 Fax 809-3121 |
| | CHECKER | A. GALANG | 5/29/2012 | |
| MATERIAL | DESIGNER | E. DE OCAMPO | PART DESCRIPTION | LT45 SPACER |
| FINISH | APPROVED | K. ELLETT II | PC PART NO. | |
| QUANTITY | RELEASE DATE | | | |
| | COMMENTS / REMARKS | 1. WEIGHT : | 2. VOLUME : | SIZE/BWG NO. A SCALE: 1:1   |
| | | | | REV. 01 SHEET 1 OF 1 |