


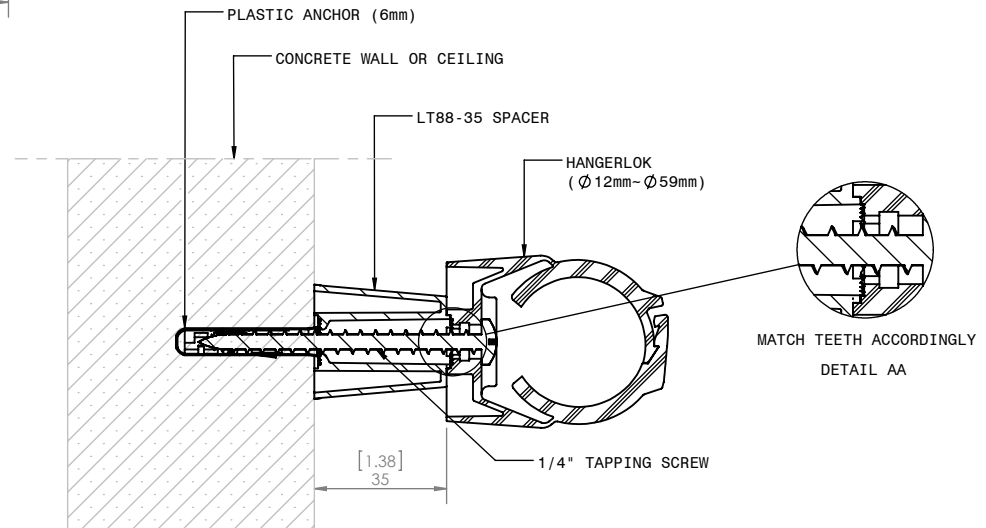
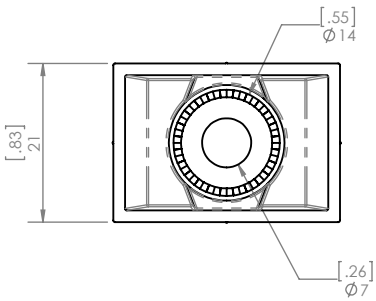
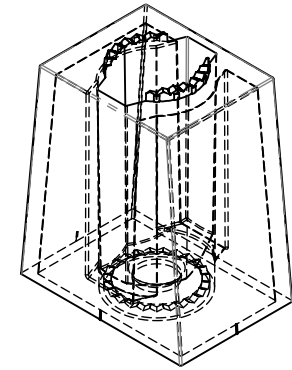
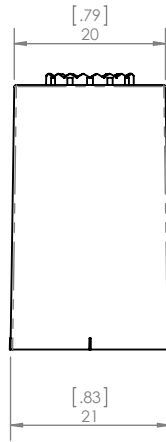
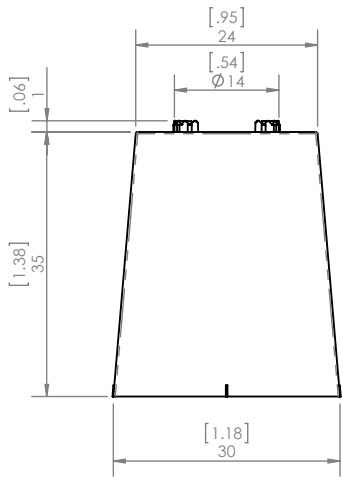


SECTION V-V
SCALE 1 : 2

PROPRIETARY AND CONFIDENTIAL




THIS DRAWING AND INFORMATION HEREIN IS THE PROPERTY OF LITCHFIELD INTERNATIONAL INC., AND IS TO BE USED IN STRICT CONFIDENCE. THIS DRAWING SHALL NOT BE REPRODUCED, COPIED OR GIVEN TO ANY THIRD PARTY WITHOUT EXPRESSED WRITTEN PERMISSION FROM LITCHFIELD INTERNATIONAL INC.

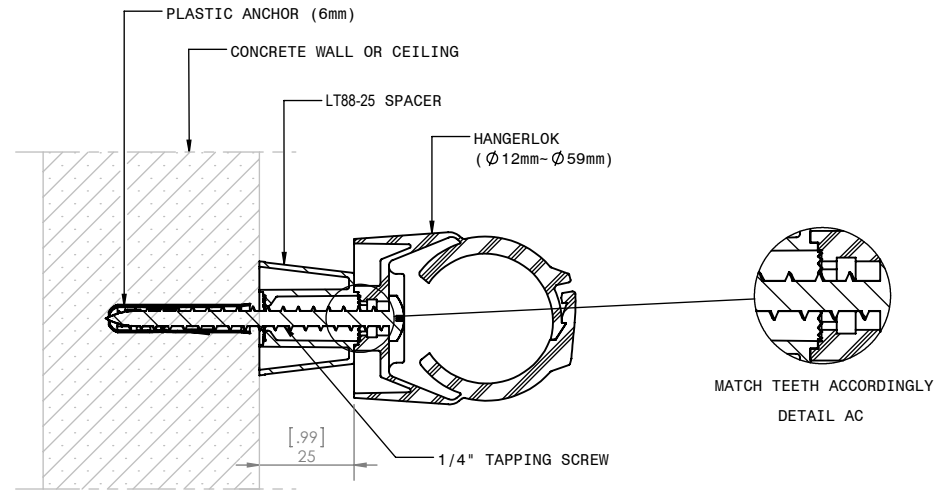
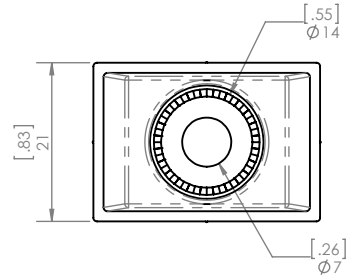
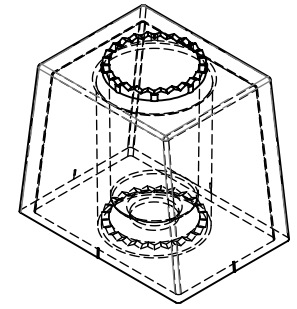
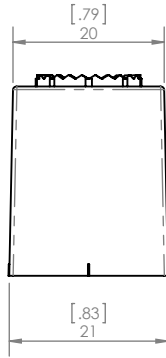
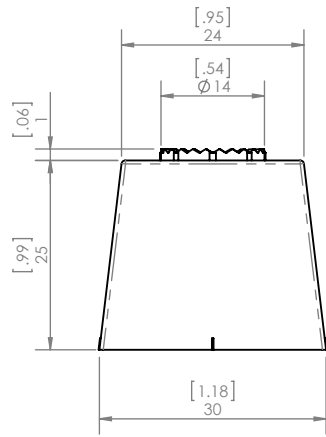
DIMENSIONS ARE IN: MM TOLERANCES UNLESS SPECIFIED		NAME	DATE	 Litchfield International Inc.
.XXX	±0.005	DRAFTSMAN	PDT 8/23/2013	
.XX	±0.03	CHECKER		PART DESCRIPTION
.X	±0.01	DESIGNER		LT88-45
ANGULAR	±1°	APPROVED		ASSY NO.
MATERIAL	NYLON 66	RELEASE DATE		PC PART NO.
FINISH	SEE NOTE	COMMENTS / REMARKS		SIZE
QUANTITY	SEE NOTE	1. WEIGHT :		DWG NO.
		2. VOLUME :		LT88-45
				SCALE:
				1:1
				 
				REV. 00
				SHEET 1 OF 5



PROPRIETARY AND CONFIDENTIAL




THIS DRAWING AND INFORMATION HEREIN IS THE PROPERTY OF LITCHFIELD INTERNATIONAL INC., AND IS TO BE USED IN STRICT CONFIDENCE. THIS DRAWING SHALL NOT BE REPRODUCED, COPIED OR GIVEN TO ANY THIRD PARTY WITHOUT EXPRESSED WRITTEN PERMISSION FROM LITCHFIELD INTERNATIONAL INC.

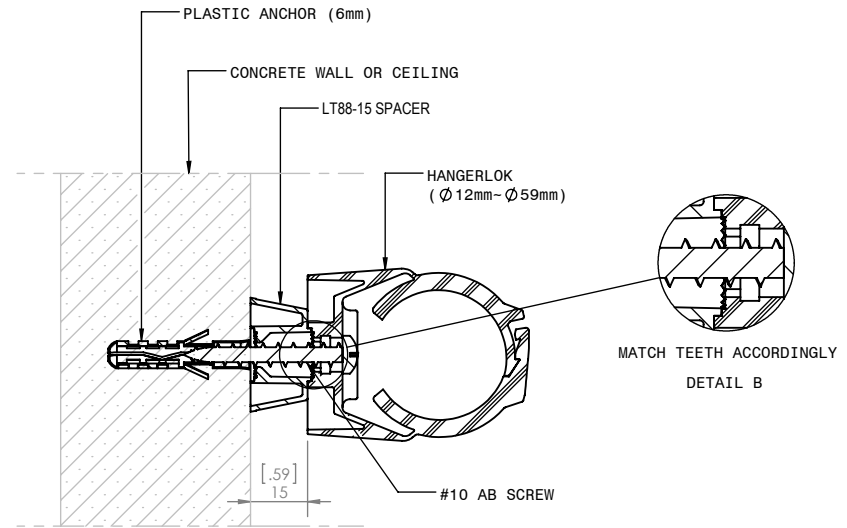
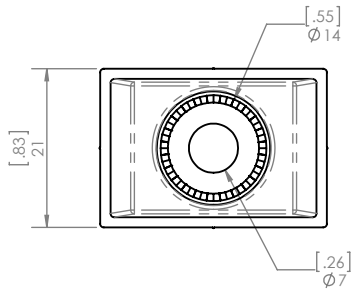
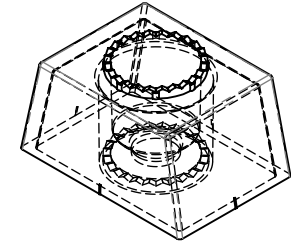
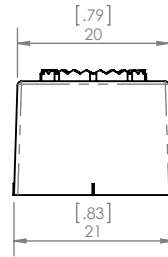
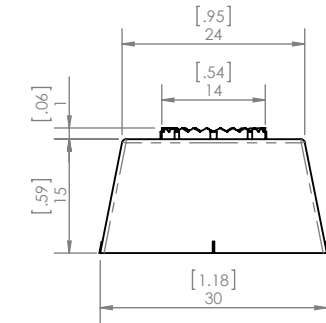
DIMENSIONS ARE IN: MM TOLERANCES UNLESS SPECIFIED .XXX ±0.005 .XX ±0.03 .X ±0.01 ANGULAR ±1°	DRAFTSMAN	PDT	8/23/2013	 Litchfield International Inc.
	CHECKER			
MATERIAL NYLON 66	DESIGNER			PART DESCRIPTION LT88-35
	APPROVED			ASSY NO. _____ PC PART NO. _____
FINISH SEE NOTE	RELEASE DATE			SIZE A
QUANTITY SEE NOTE	COMMENTS / REMARKS		1. WEIGHT :	DWG NO. LT88-35
			2. VOLUME :	REV. 00
SCALE: 1:1			 	SHEET 2 OF 5



PROPRIETARY AND CONFIDENTIAL




THIS DRAWING AND INFORMATION HEREIN IS THE PROPERTY OF LITCHFIELD INTERNATIONAL INC., AND IS TO BE USED IN STRICT CONFIDENCE. THIS DRAWING SHALL NOT BE REPRODUCED, COPIED OR GIVEN TO ANY THIRD PARTY WITHOUT EXPRESSED WRITTEN PERMISSION FROM LITCHFIELD INTERNATIONAL INC.

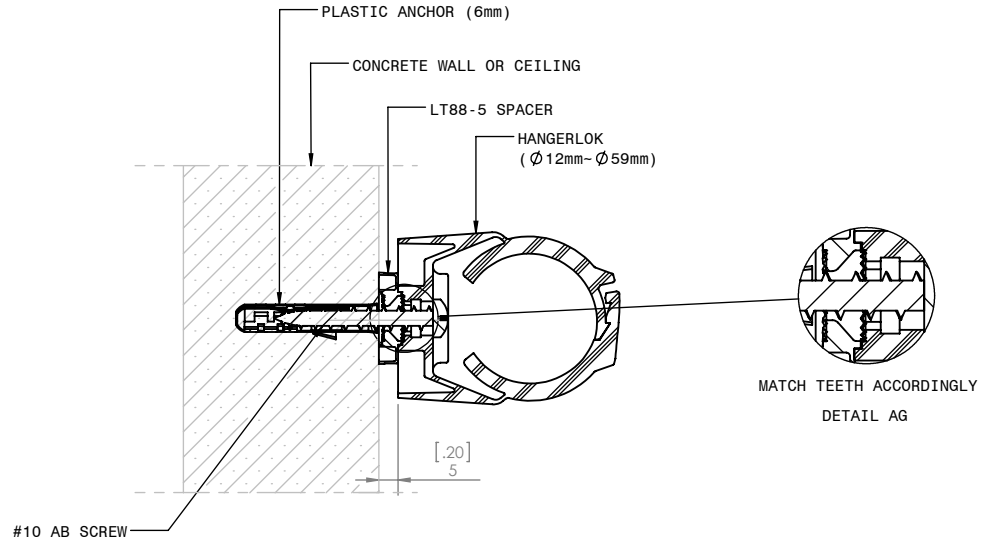
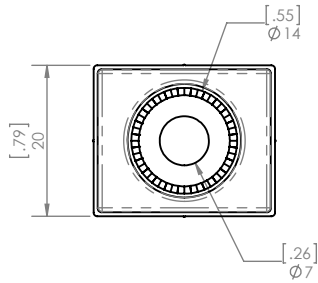
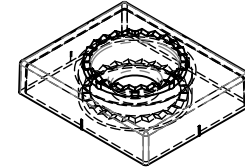
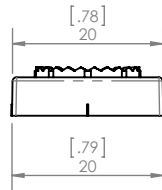
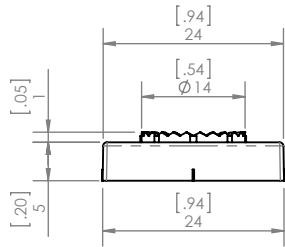
DIMENSIONS ARE IN: MM TOLERANCES UNLESS SPECIFIED .XXX ±0.005 .XX ±0.03 .X ±0.01 ANGULAR ±1°	DRAFTSMAN	PDT	DATE	8/23/2013	 Litchfield International Inc.			
	CHECKER					PART DESCRIPTION	LT88-25	
MATERIAL	NYLON 66	DESIGNER			ASSY NO.	PC PART NO.		
FINISH	SEE NOTE	APPROVED			SIZE	DWG NO.	REV.	
QUANTITY	SEE NOTE	RELEASE DATE			A	LT88-25	00	
		COMMENTS / REMARKS	1. WEIGHT : 2. VOLUME :		SCALE:	1:1	 	SHEET 3 OF 5



PROPRIETARY AND CONFIDENTIAL




THIS DRAWING AND INFORMATION HEREIN IS THE PROPERTY OF LITCHFIELD INTERNATIONAL INC., AND IS TO BE USED IN STRICT CONFIDENCE. THIS DRAWING SHALL NOT BE REPRODUCED, COPIED OR GIVEN TO ANY THIRD PARTY WITHOUT EXPRESSED WRITTEN PERMISSION FROM LITCHFIELD INTERNATIONAL INC.

DIMENSIONS ARE IN: MM TOLERANCES UNLESS SPECIFIED		NAME	DATE	 Litchfield International Inc.
.XXX	±0.005	DRAFTSMAN	PDT	
.XX	±0.03	CHECKER		
.X	±0.01	DESIGNER		
ANGULAR	±1°	APPROVED		
MATERIAL	NYLON 66	RELEASE DATE		PART DESCRIPTION LT88-15
FINISH	SEE NOTE	COMMENTS / REMARKS		ASSY NO. _____ PC PART NO. _____
QUANTITY	SEE NOTE	1. WEIGHT :		SIZE DWG. NO. LT88-15 REV. 00
		2. VOLUME :		SCALE: 1:1
				 
				SHEET 4 OF 5



PROPRIETARY AND CONFIDENTIAL

THIS DRAWING AND INFORMATION HEREIN IS THE PROPERTY OF LITCHFIELD INTERNATIONAL INC., AND IS TO BE USED IN STRICT CONFIDENCE. THIS DRAWING SHALL NOT BE REPRODUCED, COPIED OR GIVEN TO ANY THIRD PARTY WITHOUT EXPRESSED WRITTEN PERMISSION FROM LITCHFIELD INTERNATIONAL INC.

DIMENSIONS ARE IN: MM TOLERANCES UNLESS SPECIFIED .XXX ±0.005 .XX ±0.03 .X ±0.01 ANGULAR ±1°	DRAFTSMAN	PDT	8/23/2013	 Litchfield International Inc.		
	CHECKER				PART DESCRIPTION	
	DESIGNER				LT88-5	
	APPROVED				ASSY NO. _____ PC PART NO. _____	
MATERIAL	NYLON 66	RELEASE DATE		SIZE	DWG NO.	REV.
FINISH	SEE NOTE	COMMENTS / REMARKS		A	LT88-5	00
QUANTITY	SEE NOTE	1. WEIGHT :		SCALE:	1:1	
		2. VOLUME :		 		SHEET 5 OF 5