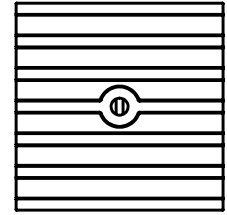
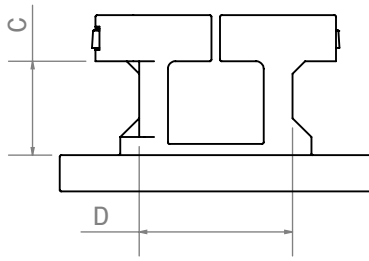
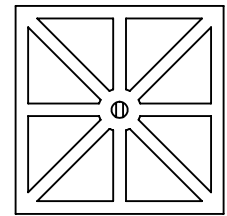
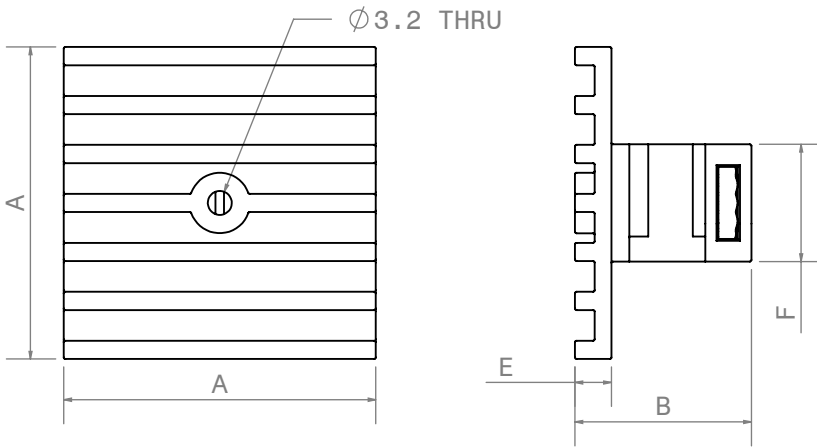


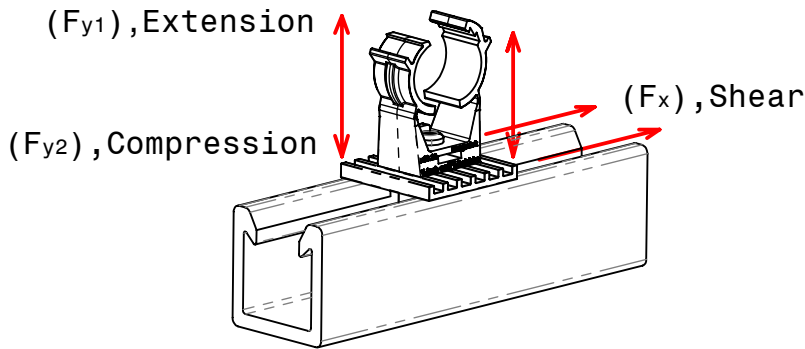
Strutcatcher	Material	A	B	C	D	E	F	Load to failure at 73°F		
								Fx	Fy1	Fy2
LT109	NYLON 6	41.275	23.330	12.42	20.292	41.813	15.5	390lbs	550lbs	390lbs
LT109-2	NYLON 6	41.275	18.479	7.5	19.952	5	15.5			




LT109



LT109-2



		DIMENSIONS ARE IN INCHES TOLERANCES: FRACTIONAL ± ANGULAR: MACH ± BEND ± TWO PLACE DECIMAL ± THREE PLACE DECIMAL ±		NAME	DATE	 Litchfield International Inc.
		MATERIAL	SEE NOTE	DRAWN	PDT	
		FINISH	SEE NOTE	CHECKED		<h1>Strutcatcher</h1>
NEXT ASSY	USED ON			ENG APPR.		
APPLICATION		DO NOT SCALE DRAWING		MFG APPR.		
				Q.A.		
				COMMENTS:		SIZE A DWG. NO. LT109/LT109-2 REV. A
						SCALE:1:10 WEIGHT: SHEET 1 OF 4

PROPRIETARY AND CONFIDENTIAL
THE INFORMATION CONTAINED IN THIS DRAWING IS THE SOLE PROPERTY OF LITCHFIELD INTERNATIONAL INC. ANY REPRODUCTION IN PART OR AS A WHOLE WITHOUT THE WRITTEN PERMISSION OF LITCHFIELD INTERNATIONAL INC. IS PROHIBITED.

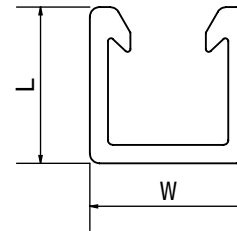
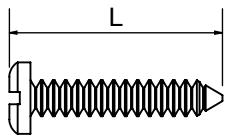
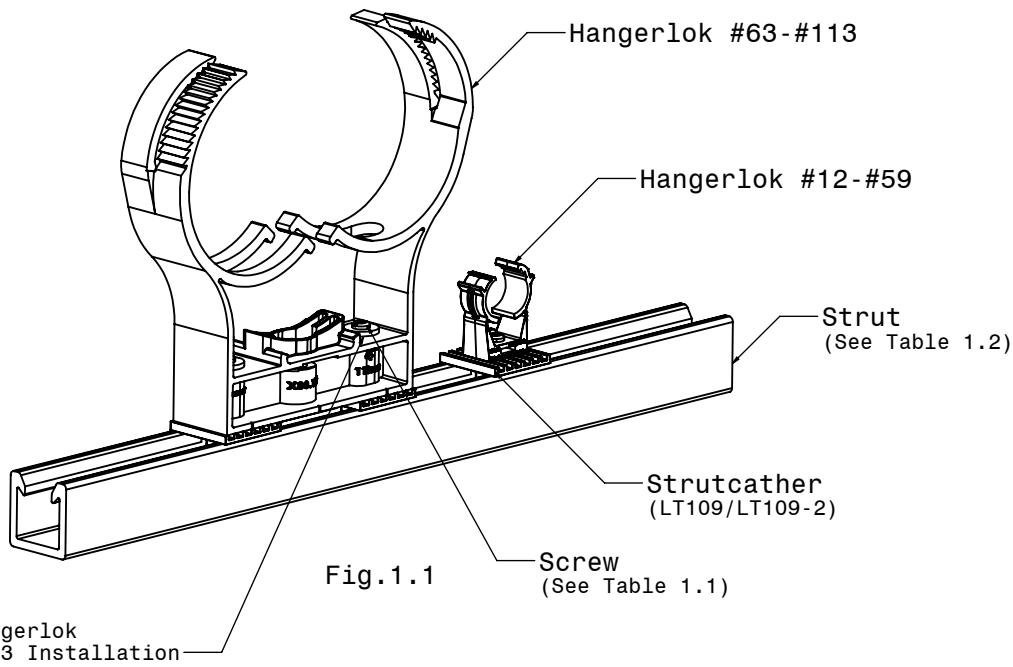


Table 1.1

SCREW	MATERIAL	APPLICATION	QTY
#8AB	STAINLESS STEEL 302	HANGERLOK #10-#17	1
#10AB	STAINLESS STEEL 302	HANGERLOK #17-#59	1
LT110	STAINLESS STEEL 302	HANGERLOK #63-#113	2

Table 1.2

MATERIAL	GAUGE	SIZE
STEEL	12	1-5/8"x1-5/8"
	12	1"x1-5/8"
	12	13/16"x1-5/8"
	14	13/16"x1-5/8"

PROPRIETARY AND CONFIDENTIAL

THE INFORMATION CONTAINED IN THIS DRAWING IS THE SOLE PROPERTY OF LITCHFIELD INTERNATIONAL INC. ANY REPRODUCTION IN PART OR AS A WHOLE WITHOUT THE WRITTEN PERMISSION OF LITCHFIELD INTERNATIONAL INC. IS PROHIBITED.

		DIMENSIONS ARE IN INCHES TOLERANCES: FRACTIONAL ± ANGULAR: MACH ± BEND ± TWO PLACE DECIMAL ± THREE PLACE DECIMAL ±
		MATERIAL SEE NOTE
NEXT ASSY	USED ON	FINISH SEE NOTE
APPLICATION		DO NOT SCALE DRAWING

	NAME	DATE
DRAWN	PDT	
CHECKED		
ENG APPR.		
MFG APPR.		
Q.A.		
COMMENTS:		



Litchfield International Inc.

Strutcatcher

SIZE A	DWG. NO. LT109/LT109-2	REV. A
SCALE: 1:4	WEIGHT:	SHEET 2 OF 4