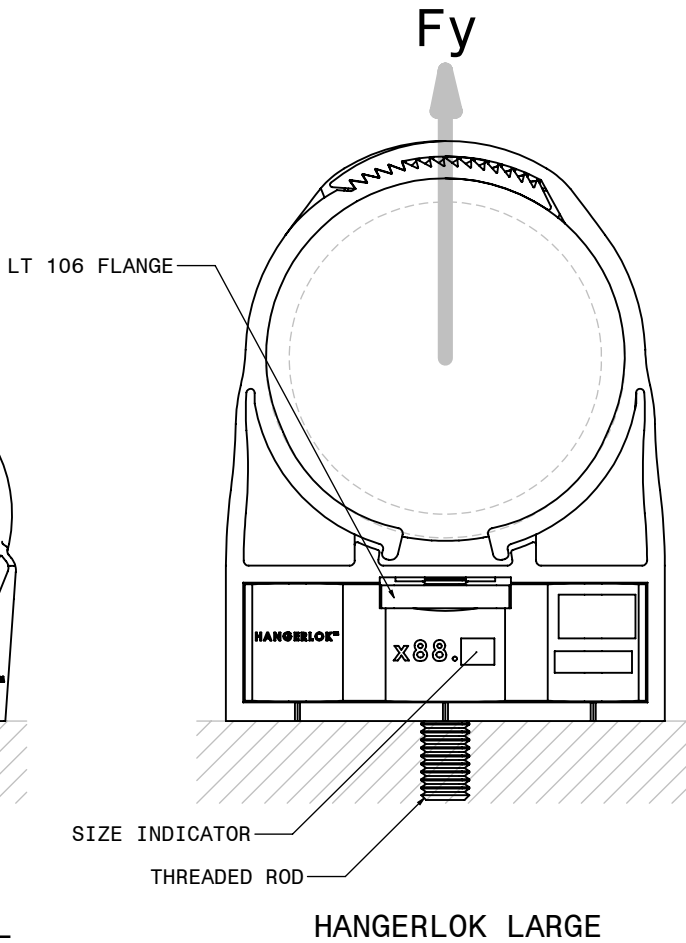
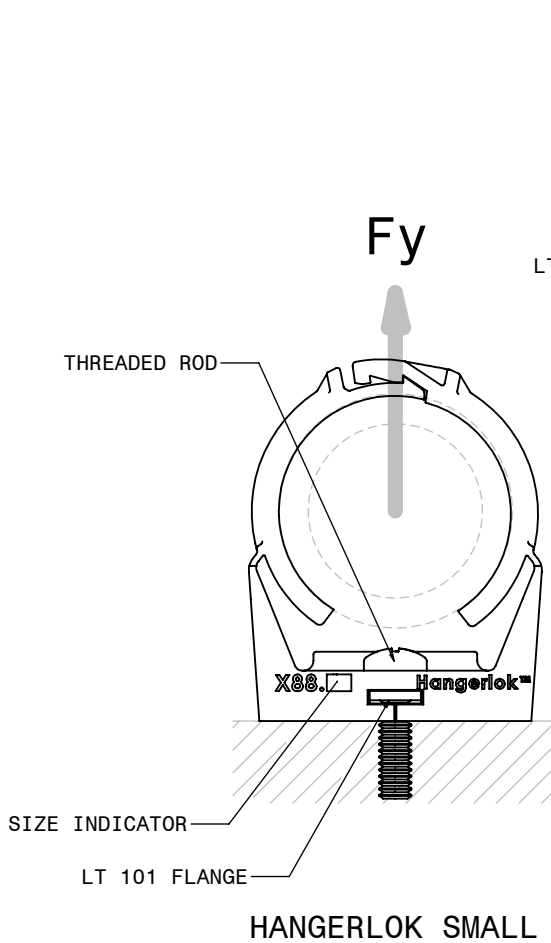
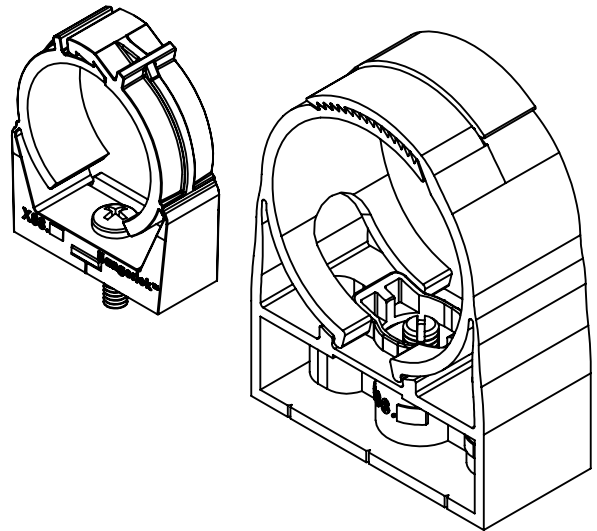


X88 SERIES	TENSILE LOAD, lbs					
	STRAIGHT PULL		1/4-20 ROD		3/8-16 ROD	
			1/4-20 FLANGE (LT 101)		3/8-16 FLANGE (LT 101/LT 106)	
	MAX	MIN	MAX	MIN	MAX	MIN
#12	250	128	-	-	-	-
#15	180	148	-	-	-	-
#17	262	251	-	-	-	-
#20	250	128	-	-	-	-
#22	456	408	-	-	-	-
#25	418	402	-	-	-	-
#32	-	-	360	286	376	-
#36	-	-	282	198	432	-
#47	-	-	285	268	434	-
#51	-	-	294	285	422	-
#59	-	-	394	352	470	-
#71	-	-	-	-	1105	-
#80	-	-	-	-	1029	-
#113	-	-	-	-	1610	-



<p>PROPRIETARY AND CONFIDENTIAL</p> <p>THE INFORMATION CONTAINED IN THIS DRAWING IS THE SOLE PROPERTY OF LITCHFIELD INTERNATIONAL INC. ANY REPRODUCTION IN PART OR AS A WHOLE WITHOUT THE WRITTEN PERMISSION OF LITCHFIELD INTERNATIONAL INC. IS PROHIBITED.</p>		<p>DIMENSIONS ARE IN INCHES</p> <p>TOLERANCES:</p> <p>FRACTIONAL ±</p> <p>ANGULAR: MACH ± BEND ±</p> <p>TWO PLACE DECIMAL ±</p> <p>THREE PLACE DECIMAL ±</p>	NAME	DATE	<p>Litchfield International Inc.</p>													
		MATERIAL	DRAWN	PDT														
		FINISH	CHECKED															
			ENG APPR.															
			MFG APPR.															
<table border="1" style="width: 100%; border-collapse: collapse;"> <tr> <td style="width: 50%;">NEXT ASSY</td> <td style="width: 50%;">USED ON</td> </tr> <tr> <td colspan="2" style="text-align: center;">APPLICATION</td> </tr> </table>	NEXT ASSY	USED ON	APPLICATION		<p>SEE NOTE</p> <p>SEE NOTE</p> <p>DO NOT SCALE DRAWING</p>	<p>Q.A.</p> <p>COMMENTS:</p>	<h1 style="margin: 0;">TENSILE LOADS</h1>		<table border="1" style="width: 100%; border-collapse: collapse;"> <tr> <td style="width: 10%;">SIZE</td> <td style="width: 70%;">DWG. NO.</td> <td style="width: 20%;">REV.</td> </tr> <tr> <td style="text-align: center;">A</td> <td style="text-align: center;">X88.XX SERIES</td> <td></td> </tr> <tr> <td>SCALE: 2:3</td> <td>WEIGHT:</td> <td style="text-align: right;">SHEET 1 OF 1</td> </tr> </table>	SIZE	DWG. NO.	REV.	A	X88.XX SERIES		SCALE: 2:3	WEIGHT:	SHEET 1 OF 1
NEXT ASSY	USED ON																	
APPLICATION																		
SIZE	DWG. NO.	REV.																
A	X88.XX SERIES																	
SCALE: 2:3	WEIGHT:	SHEET 1 OF 1																