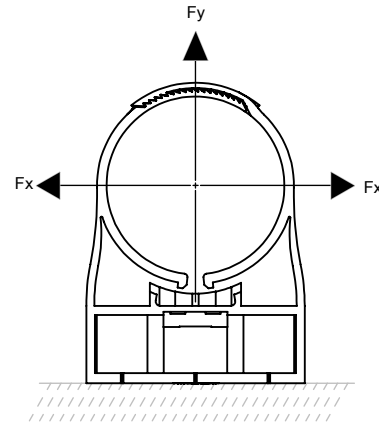
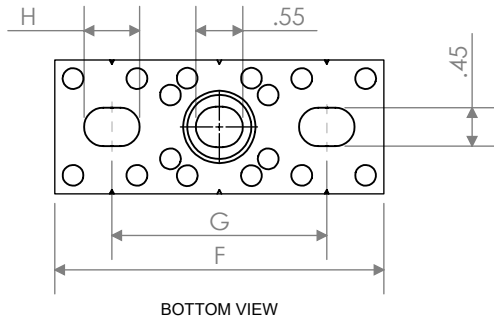
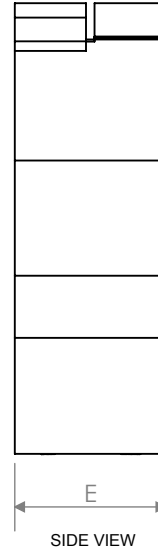
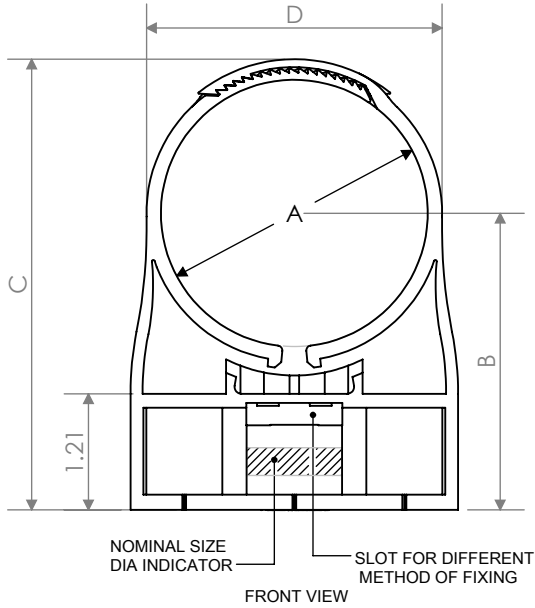


A		NOMINAL SIZE	B	C	D	E	F	G	H	STATIC LOAD (lbs)	
MIN	MAX									Fy	Fx
2.80	3.15	71	3.03	4.53	2.98	1.57	3.43	2.31	.61	485	285
3.15	3.54	80	3.19	4.95	3.08	1.57	3.86	2.52	.65	575	350
4.45	5.00	113	3.8	6.39	4.5	1.57	5.47	3.98	.69	880	555



<p>PROPRIETARY AND CONFIDENTIAL</p> <p>THE INFORMATION CONTAINED IN THIS DRAWING IS THE SOLE PROPERTY OF <INSERT COMPANY NAME HERE>. ANY REPRODUCTION IN PART OR AS A WHOLE WITHOUT THE WRITTEN PERMISSION OF <INSERT COMPANY NAME HERE> IS PROHIBITED.</p>			<p>DIMENSIONS ARE IN INCHES</p> <p>TOLERANCES:</p> <p>FRACTIONAL ±</p> <p>ANGULAR: MACH ± BEND ±</p> <p>TWO PLACE DECIMAL ±</p> <p>THREE PLACE DECIMAL ±</p>		NAME	DATE	<p>HANGERLOK</p> <p>BY LITCHFIELD INTERNATIONAL</p> <p>CLAMPING SIZE</p>	
				MATERIAL	SEE NOTE	DRAWN		
				FINISH	SEE NOTE	CHECKED		
						ENG APPR.		
	NEXT ASSY	USED ON			MFG APPR.			
	APPLICATION		DO NOT SCALE DRAWING		Q.A.			
					COMMENTS:			
					SIZE A	DWG. NO.	X88 SERIES	
					SCALE: 1:2	WEIGHT:	SHEET 8 OF 8	
							REV.	