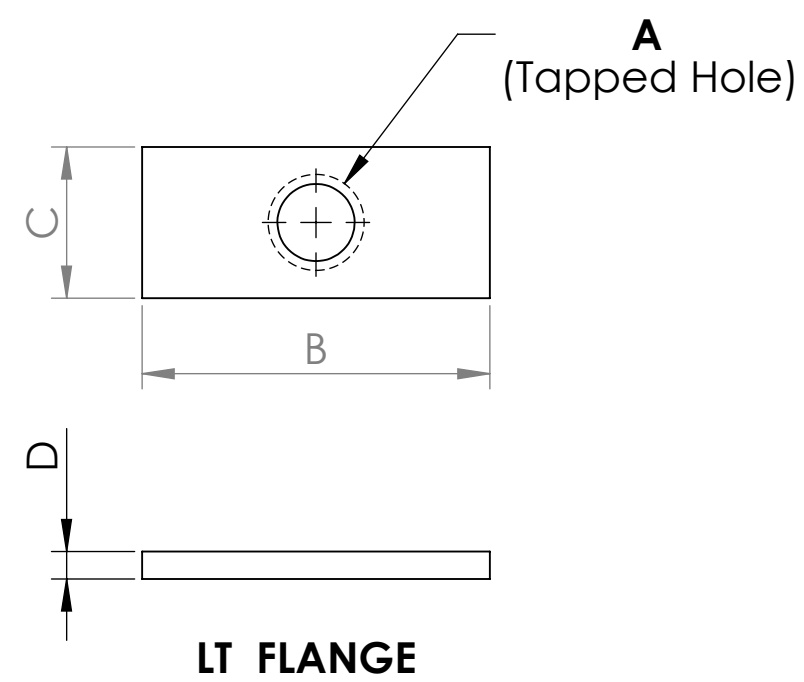
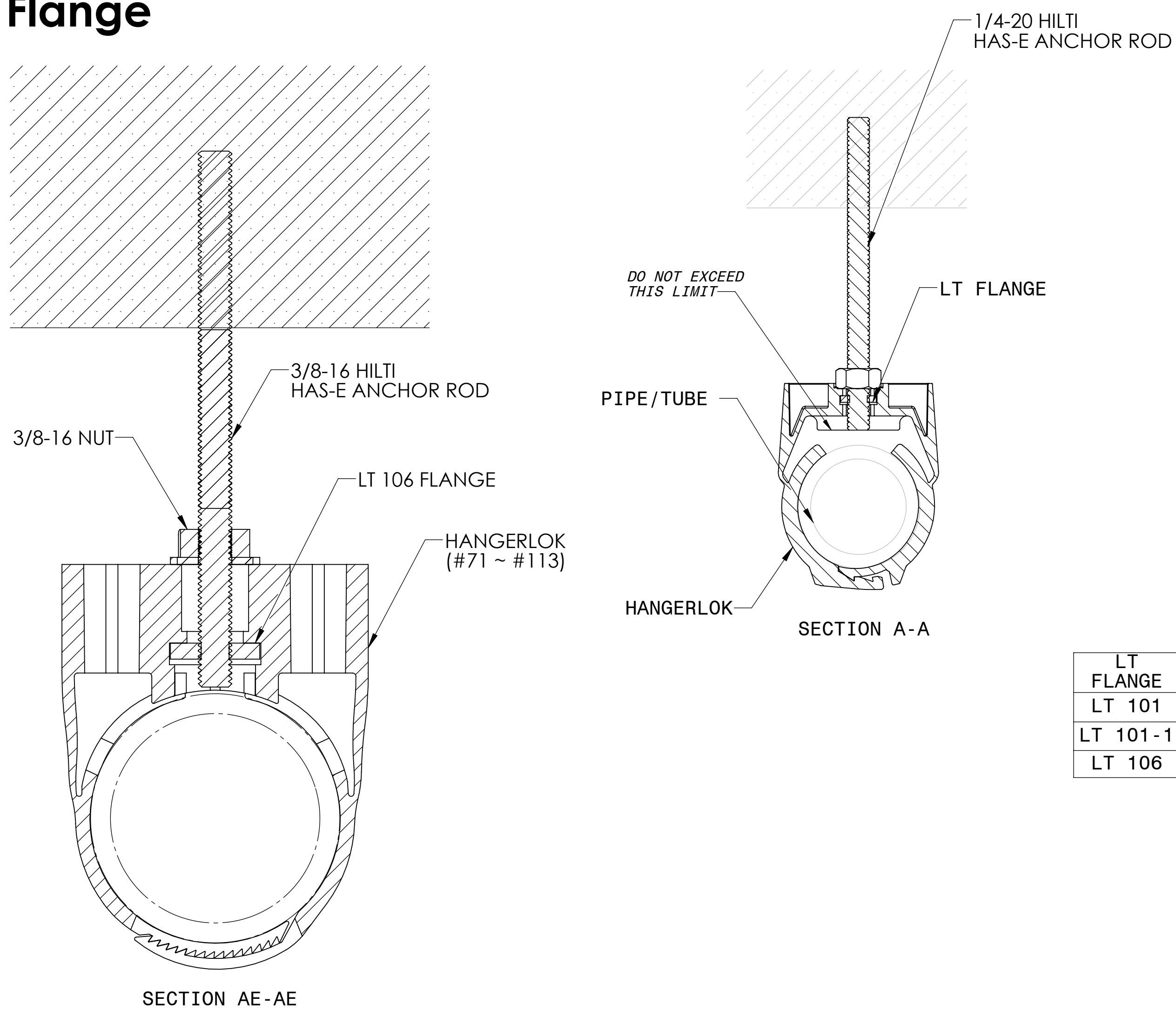


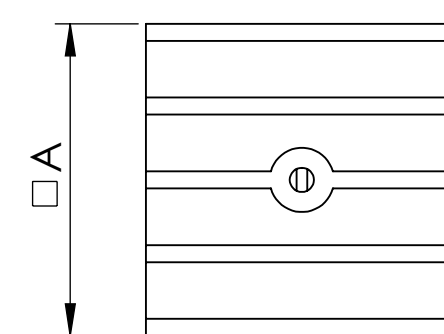
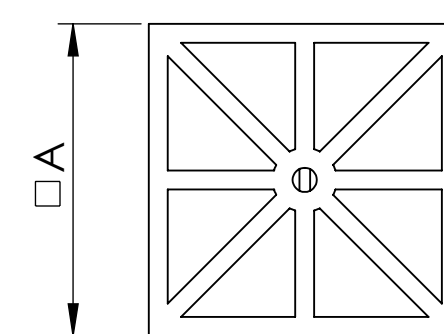
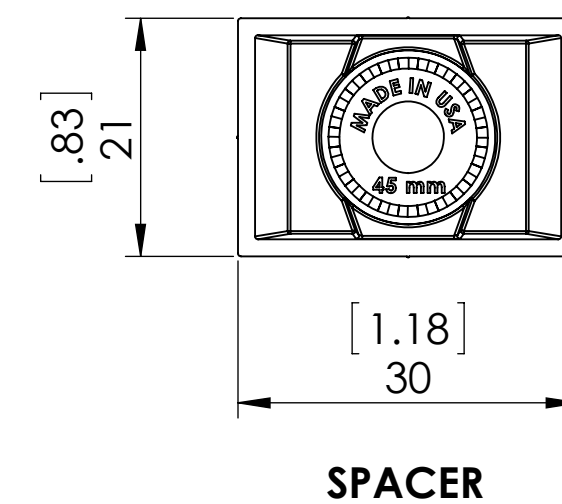
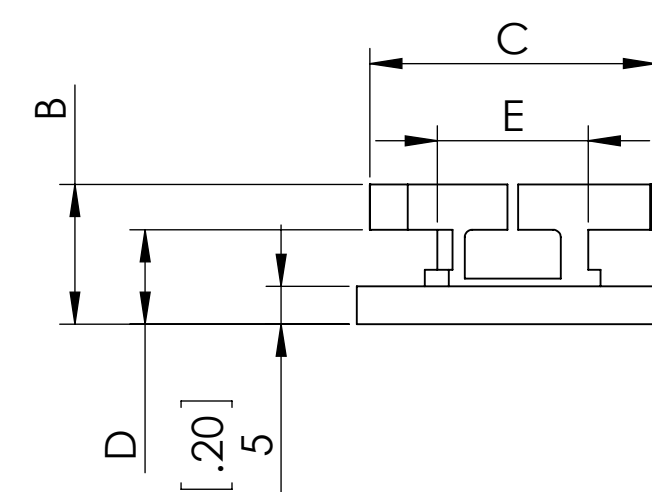
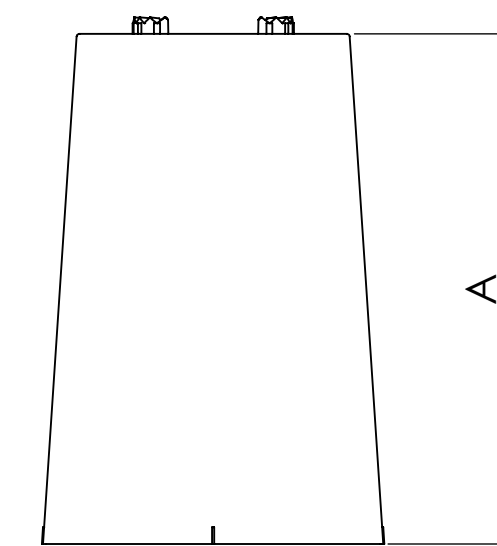
X88 SERIES	A Clamping Diameter		B	C	Fy Straight Pull, lbs	
	MIN	MAX			1/4-20 FLANGE (LT-101)	3/8-16 FLANGE (LT-101-1)
#12	0.472	0.563	0.72	1.18	250	-
#15	0.590	0.661	0.73	1.2	180	-
#17	0.669	0.768	0.87	1.39	262	-
#20	0.787	0.866	0.93	1.55	250	-
#22	0.866	0.898	0.98	1.61	456	-
#25	0.984	1.094	1.06	1.78	418	-
#28	1.102	1.229	1.13	1.93	500	-
#32	1.259	1.398	1.27	2.14	-	360
#36	1.417	1.555	1.35	2.34	-	282
#40	1.574	1.713	1.43	2.53	-	300
#47	1.850	1.988	1.60	2.87	-	285
#51	2.007	2.185	1.74	3.10	-	294
#59	2.322	2.520	1.91	3.47	-	394
#71-80	2.800	3.15	2.85	4.53	-	-
#80-90	3.150	3.54	3.04	4.94	-	-
#113-127	4.450	5.0	3.78	6.54	-	-

LT Flange



LT FLANGE	A	B	C	D	HangerLok
LT 101	1/4-20 Tapped	0.90	0.40	0.07	#12-#22
LT 101-1	3/8-16 Tapped	0.97	0.55	0.07	#25-#59
LT 106	3/8-16 Tapped	1.00	1.00	0.18	#71-#113

SPACER	A (mm)	HANGERLOK
#2.5	2.5	#12-#59
#5	5	
#15	15	
#25	25	
#35	35	
#45	45	
#65	65	
#80	80	



STRUT CATCHER	A	B	C	D	E	HanegerLok
LT 101	41mm	18mm	38mm	13mm	20mm	#12-#59
LT 101-2						#71-#113

PROPRIETARY AND CONFIDENTIAL
THE INFORMATION CONTAINED IN THIS DRAWING IS THE SOLE PROPERTY OF LITCHFIELD INTERNATIONAL INC. ANY REPRODUCTION IN PART OR AS A WHOLE WITHOUT THE WRITTEN PERMISSION OF LITCHFIELD INTERNATIONAL INC. IS PROHIBITED.

UNLESS OTHERWISE SPECIFIED: DIMENSIONS ARE IN INCHES TOLERANCES: FRACTIONAL ± ANGULAR MATCH ± BEND ± TWO PLACE DECIMAL ± THREE PLACE DECIMAL ±		DRAWN PDT	NAME PDT	DATE
INTERPRET GEOMETRIC TOLERANCING PER: MATERIAL SEE NOTE		CHECKED	ENG APPR.	MFG APPR.
NEXT ASSY USED ON FINISH SEE NOTE		G.A.	COMMENTS:	

TITLE: Litchfield Product Line
 SIZE DWG. NO. - REV
 SCALE: 1:1 WEIGHT: SHEET 1 OF 1

Product Line 2