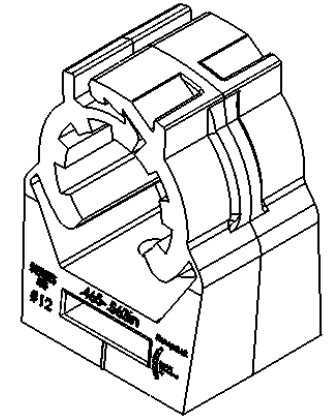
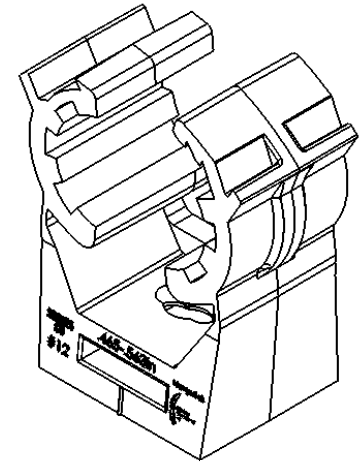
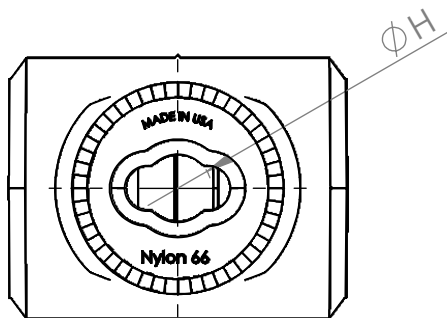
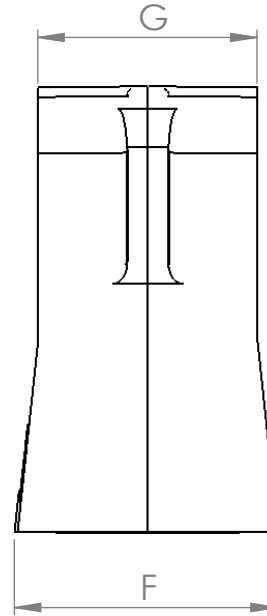
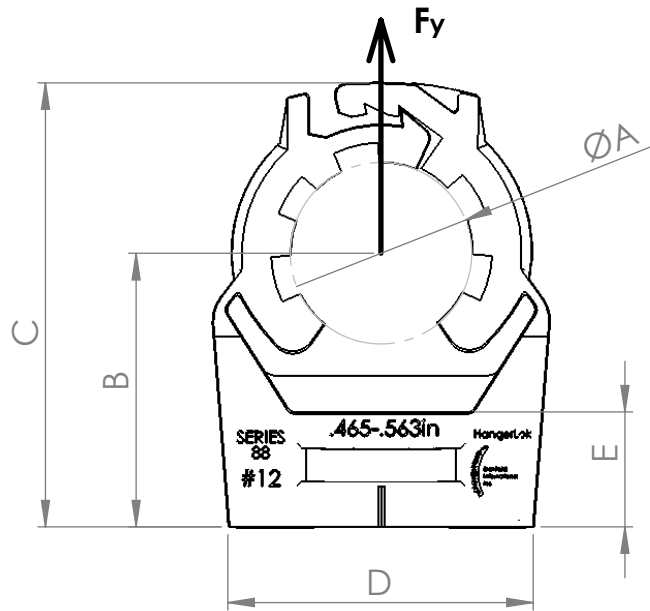


PARAMETRIC TABLE

H88 SERIES	ØA			B	C	D	E	F	G	ØH	Fy (Straight Pull,lbs)
	INCH	MM									
H88.12-LOK	MIN	.47	12	.72	1.18	.80	.30	.69	.56	0.18	250
	MAX	.56	14.3	.74	1.23						



PROPRIETARY AND CONFIDENTIAL

THIS DRAWING AND INFORMATION HEREIN IS THE PROPERTY OF LITCHFIELD INTERNATIONAL INC., AND IS TO BE USED IN STRICT CONFIDENCE. THIS DRAWING SHALL NOT BE REPRODUCED, COPIED OR GIVEN TO ANY THIRD PARTY WITHOUT EXPRESSED WRITTEN PERMISSION FROM LITCHFIELD INTERNATIONAL INC.

DIMENSIONS ARE IN: INCH TOLERANCES UNLESS SPECIFIED		NAME	DATE		Litchfield International Inc.	
.XXX	±0.005	DRAFTSMAN	PDT		7/8/2018	
.XX	±0.03	CHECKER	PDT		PART DESCRIPTION H88.12-LOK	
.X	±0.01	DESIGNER	HANGERLOK		ASSY NO.	PC PART NO. H88.12-LOK
ANGULAR	±1°	APPROVED	HANGERLOK			
MATERIAL	SEE NOTE	RELEASE DATE				
FINISH	SEE NOTE	COMMENTS / REMARKS	1. WEIGHT : SEE NOTE 2. VOLUME : SEE NOTE		SIZE A	DWG NO. H88.12-LOK
QUANTITY	SEE NOTE				SCALE: 2:1	REV. 01

