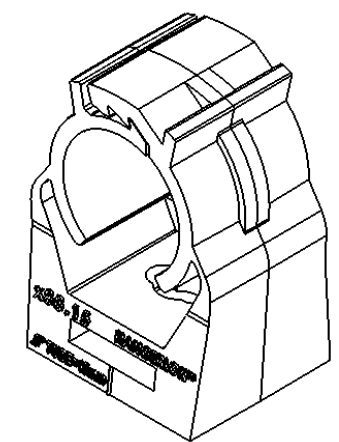
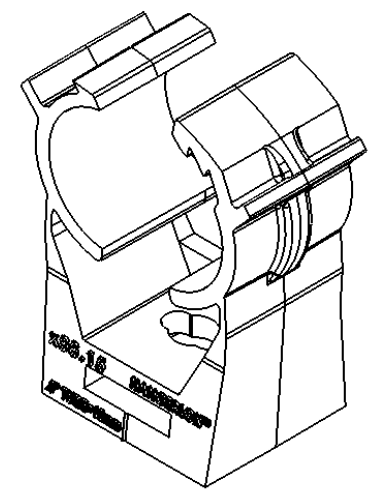
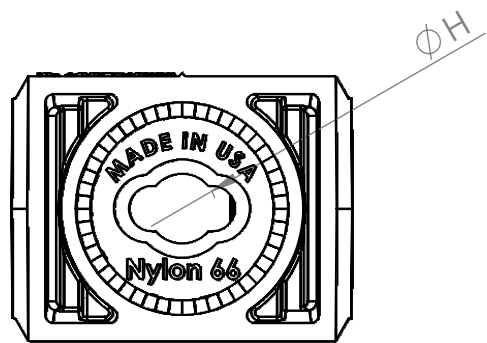
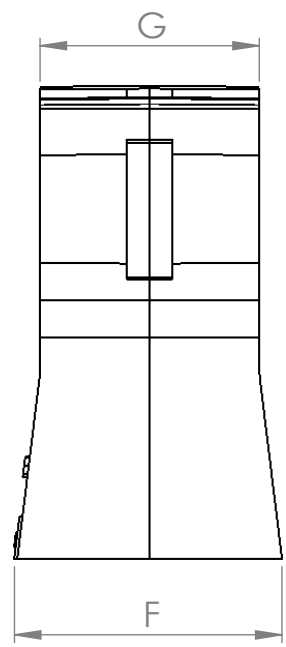
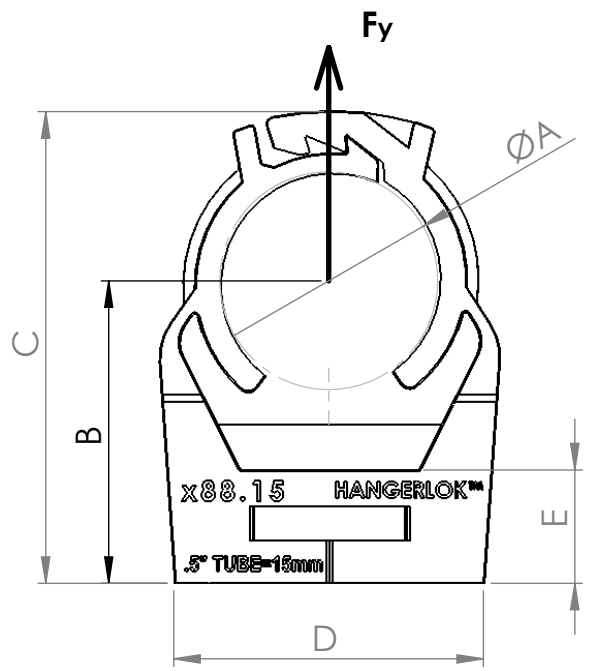


PARAMETRIC TABLE

H88 SERIES	ØA			B	C	D	E	F	D	ØH	Fy (Straight Pull, lbs)
		Inch	MM								
H88.15-LOK	Min	0.59	15.0	0.73	1.20	0.81	0.30	0.70	0.57	0.18	180
	Max	0.66	16.8	0.83	1.27						



PROPRIETARY AND CONFIDENTIAL

THIS DRAWING AND INFORMATION HEREIN IS THE PROPERTY OF LITCHFIELD INTERNATIONAL INC., AND IS TO BE USED IN STRICT CONFIDENCE. THIS DRAWING SHALL NOT BE REPRODUCED, COPIED OR GIVEN TO ANY THIRD PARTY WITHOUT EXPRESSED WRITTEN PERMISSION FROM LITCHFIELD INTERNATIONAL INC.

DIMENSIONS ARE IN: INCH TOLERANCES UNLESS SPECIFIED		NAME		DATE		Litchfield International Inc.	
.XXX	±0.005	DRAFTSMAN	PDT	7/8/2018			
.XX	±0.03	CHECKER	PDT			PART DESCRIPTION H88.15-LOK	
.X	±0.01	DESIGNER	HANGERLOK			ASSY NO.	
ANGULAR	±1°	APPROVED	HANGERLOK			PC PART NO. H88.15-LOK	
MATERIAL	SEE NOTE	RELEASE DATE				SIZE DWG NO. H88.15-LOK	
FINISH	SEE NOTE	COMMENTS / REMARKS		1. WEIGHT : SEE NOTE		REV. 01	
QUANTITY	SEE NOTE	2. VOLUME : SEE NOTE		SCALE: 2:1		SHEET 1 OF 1	