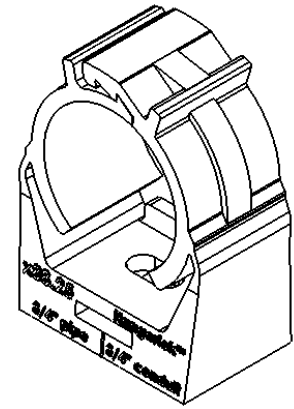
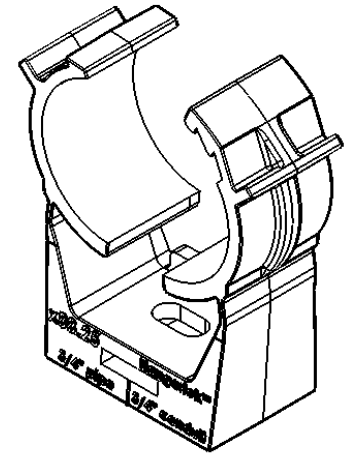
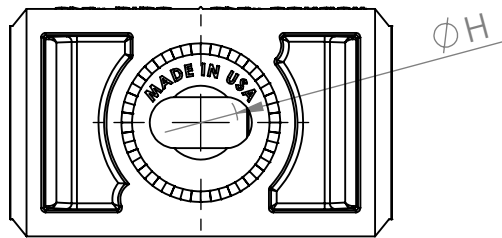
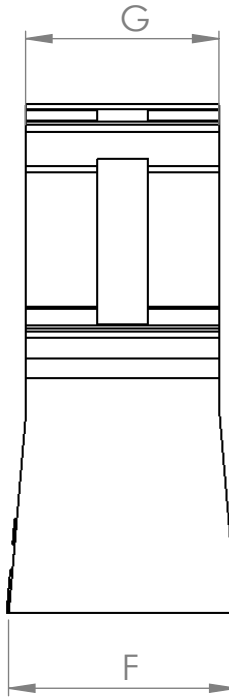
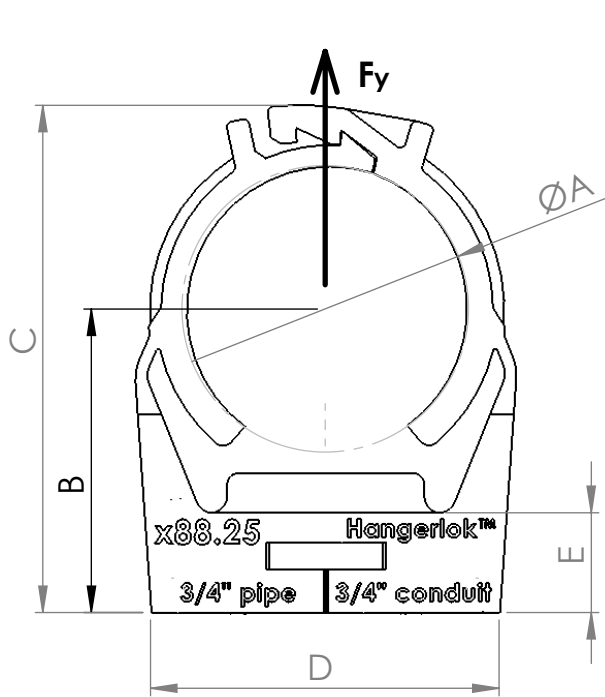


PARAMETRIC TABLE

H88 SERIES	ØA		B	C	D	E	F	G	ØH	Fy (Straight Pull, lbs)	
	Inch	MM									
H88.25-LOK	Min	0.98	25.0	1.06	1.78	1.21	0.35	0.80	0.67	0.18	418
	Max	1.09	27.8	1.12	1.82						



PROPRIETARY AND CONFIDENTIAL

THIS DRAWING AND INFORMATION HEREIN IS THE PROPERTY OF LITCHFIELD INTERNATIONAL INC., AND IS TO BE USED IN STRICT CONFIDENCE. THIS DRAWING SHALL NOT BE REPRODUCED, COPIED OR GIVEN TO ANY THIRD PARTY WITHOUT EXPRESSED WRITTEN PERMISSION FROM LITCHFIELD INTERNATIONAL INC.

DIMENSIONS ARE IN: INCH TOLERANCES UNLESS SPECIFIED		NAME	DATE		Litchfield International Inc.	
.XXX	±0.005	DRAFTSMAN	PDT		7/8/2018	
.XX	±0.03	CHECKER	PDT			
.X	±0.01	DESIGNER	HANGERLOK	PART DESCRIPTION H88.25-LOK		
ANGULAR	±1°	APPROVED	HANGERLOK	ASSY NO. PC PART NO. H88.25-LOK		
MATERIAL	SEE NOTE	RELEASE DATE				
FINISH	SEE NOTE	COMMENTS / REMARKS		SIZE	DWG NO.	REV.
QUANTITY	SEE NOTE	1. WEIGHT : SEE NOTE 2. VOLUME : SEE NOTE		A	H88.25-LOK	01
				SCALE:	3:2	
						SHEET 1 OF 1