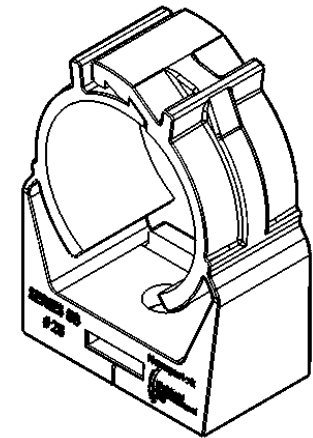
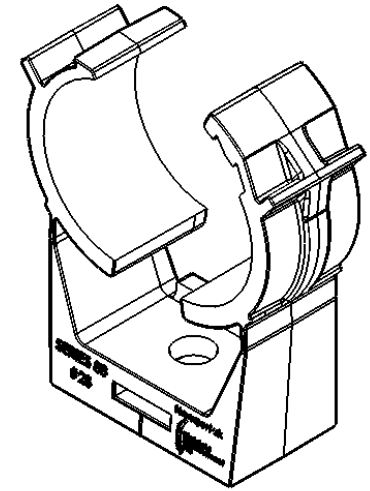
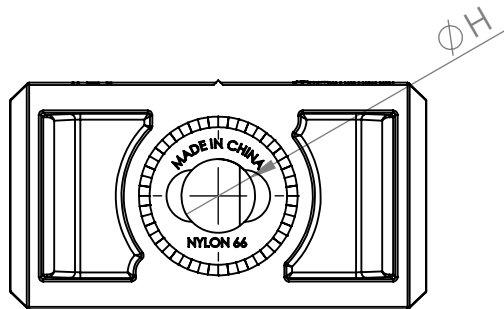
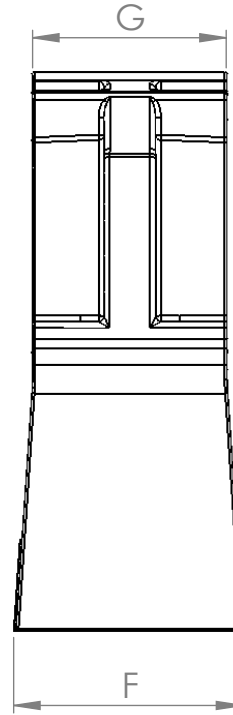
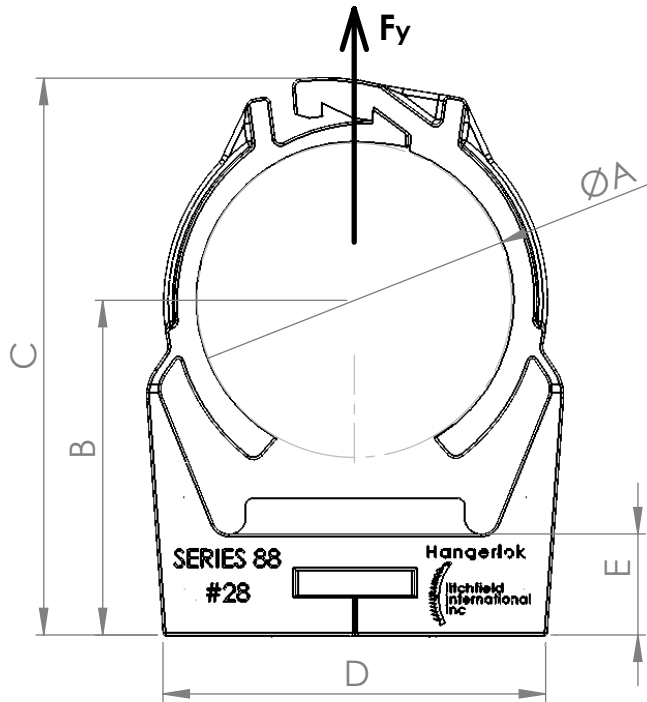


PARAMETRIC TABLE

H88 SERIES	ØA			B	C	D	E	F	G	ØH	Fy (Straight Pull, lbs)
		Inch	MM								
H88.28-LOK	Min	1.10	28.0	1.13	1.93	1.33	0.35	0.80	0.67	0.26	500
	Max	1.23	31.2	1.23	2.00						



PROPRIETARY AND CONFIDENTIAL

THIS DRAWING AND INFORMATION HEREIN IS THE PROPERTY OF LITCHFIELD INTERNATIONAL INC., AND IS TO BE USED IN STRICT CONFIDENCE. THIS DRAWING SHALL NOT BE REPRODUCED, COPIED OR GIVEN TO ANY THIRD PARTY WITHOUT EXPRESSED WRITTEN PERMISSION FROM LITCHFIELD INTERNATIONAL INC.

DIMENSIONS ARE IN: INCH TOLERANCES UNLESS SPECIFIED .XXX ±0.005 .XX ±0.03 .X ±0.01 ANGULAR ±1°	DRAFTSMAN	PDT	7/8/2018	Litchfield International Inc.					
	CHECKER	PDT							
	DESIGNER	HANGERLOK							
	APPROVED	HANGERLOK							
MATERIAL	SEE NOTE	RELEASE DATE		PART DESCRIPTION	H88.28-LOK				
FINISH	SEE NOTE	COMMENTS / REMARKS		ASSY NO.		PC PART NO.	H88.28-LOK		
QUANTITY	SEE NOTE	1. WEIGHT : SEE NOTE 2. VOLUME : SEE NOTE		SIZE	A	DWG NO.	H88.28-LOK	REV.	01
				SCALE:	2:1			SHEET 1 OF 1	