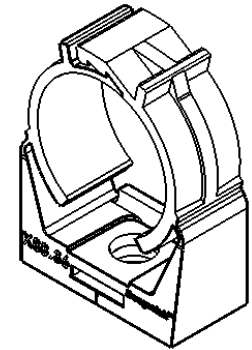
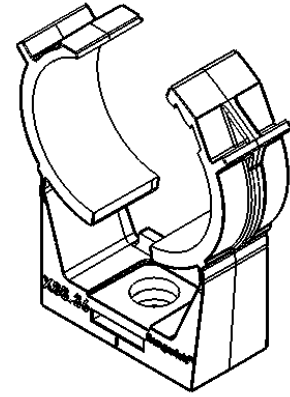
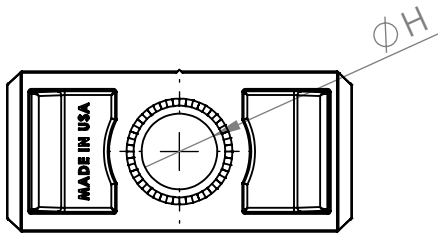
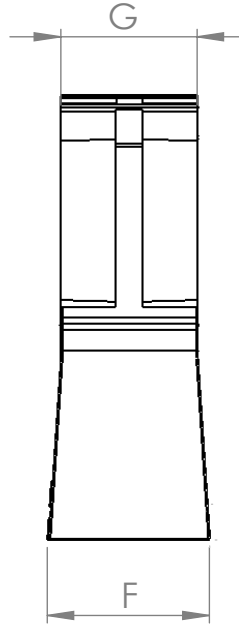
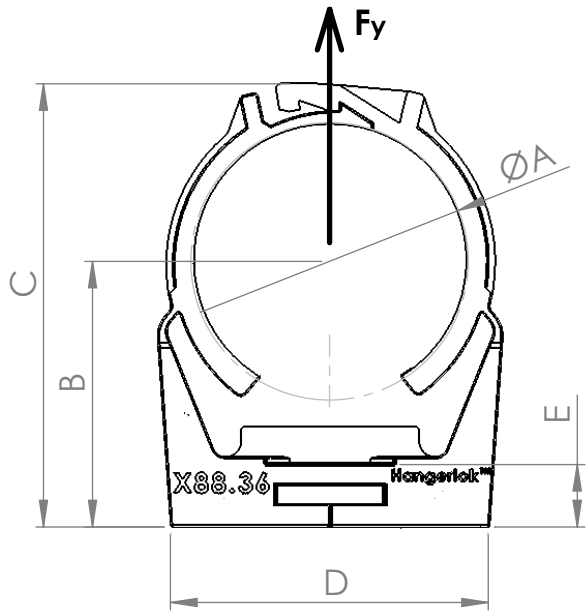


PARAMETRIC TABLE

H88 SERIES	ØA			B	C	D	E	F	G	ØH	Fy (Straight Pull, lbs)
		Inch	MM								
H88.36-LOK	Min	1.42	36.0	1.35	2.34	1.66	0.32	0.85	0.71	0.39	282-432
	Max	1.56	39.5	1.45	2.39						



PROPRIETARY AND CONFIDENTIAL

THIS DRAWING AND INFORMATION HEREIN IS THE PROPERTY OF LITCHFIELD INTERNATIONAL INC., AND IS TO BE USED IN STRICT CONFIDENCE. THIS DRAWING SHALL NOT BE REPRODUCED, COPIED OR GIVEN TO ANY THIRD PARTY WITHOUT EXPRESSED WRITTEN PERMISSION FROM LITCHFIELD INTERNATIONAL INC.

DIMENSIONS ARE IN: INCH TOLERANCES UNLESS SPECIFIED		NAME		DATE		Litchfield International Inc.	
.XXX	±0.005	DRAFTSMAN	PDT	7/8/2018		PART DESCRIPTION H88.36-LOK	
.XX	±0.03	CHECKER	PDT			ASSY NO.	PC PART NO. H88.36-LOK
.X	±0.01	DESIGNER	HANGERLOK				
ANGULAR	±1°	APPROVED	HANGERLOK				
MATERIAL	SEE NOTE	RELEASE DATE					
FINISH	SEE NOTE	COMMENTS / REMARKS		SIZE	DWG NO.	REV.	
QUANTITY	SEE NOTE	1. WEIGHT : SEE NOTE 2. VOLUME : SEE NOTE		A	H88.36-LOK	01	
				SCALE:	1:1	SHEET 1 OF 1	