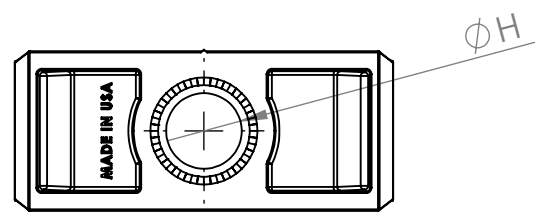
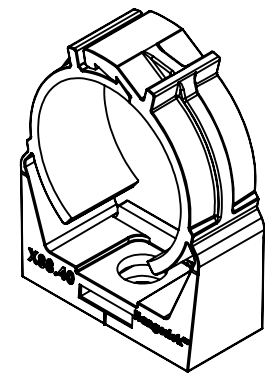
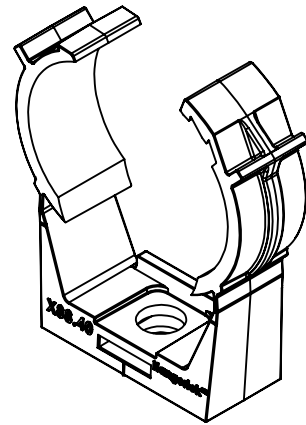
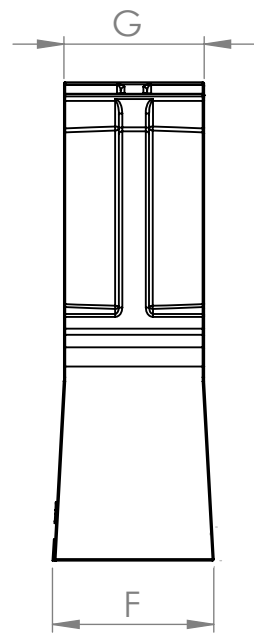
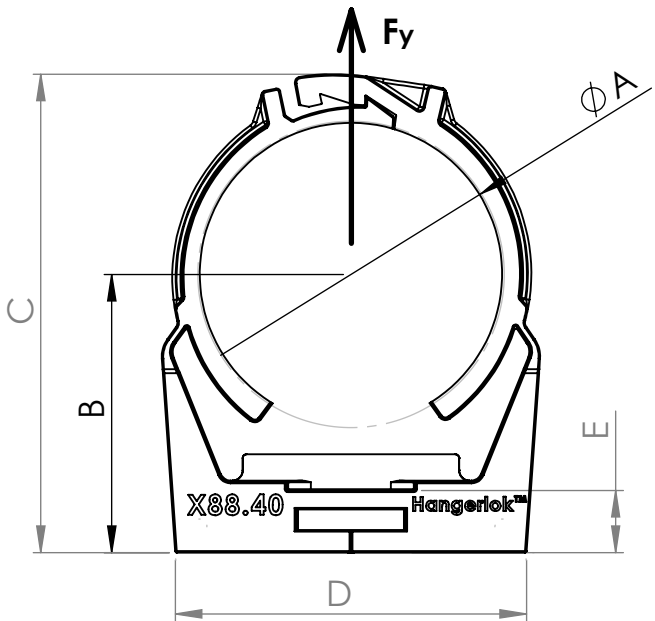



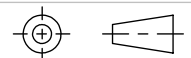
PARAMETRIC TABLE

| H88 SERIES | ØA | | | B | C | D | E | F | G | ØH | Fy (Straight Pull, lbs) |
|------------|-----|------|------|------|------|------|------|------|------|------|----------------------------|
| | | Inch | MM | | | | | | | | |
| H88.40-LOK | Min | 1.57 | 40.0 | 1.35 | 2.34 | 1.83 | 0.32 | 0.85 | 0.73 | 0.39 | 300-430 |
| | Max | 1.71 | 43.5 | 1.53 | 2.58 | | | | | | |



PROPRIETARY AND CONFIDENTIAL

THIS DRAWING AND INFORMATION HEREIN IS THE PROPERTY OF LITCHFIELD INTERNATIONAL INC., AND IS TO BE USED IN STRICT CONFIDENCE. THIS DRAWING SHALL NOT BE REPRODUCED, COPIED OR GIVEN TO ANY THIRD PARTY WITHOUT EXPRESSED WRITTEN PERMISSION FROM LITCHFIELD INTERNATIONAL INC.

| | | | | | | | |
|--|----------|----------------------|-----------|---|--|--|--|
| DIMENSIONS ARE IN: INCH TOLERANCES UNLESS SPECIFIED | | NAME | | DATE | |  Litchfield International Inc. | |
| .XXX | ±0.005 | DRAFTSMAN | PDT | 7/8/2018 | | PART DESCRIPTION | |
| .XX | ±0.03 | CHECKER | PDT | | | H88.40-LOK | |
| .X | ±0.01 | DESIGNER | HANGERLOK | | | ASSY NO. | |
| ANGULAR | ±1° | APPROVED | HANGERLOK | | | PC PART NO. | |
| MATERIAL | SEE NOTE | RELEASE DATE | | | | H88.40-LOK | |
| FINISH | SEE NOTE | COMMENTS / REMARKS | | SIZE | | DWG NO. | |
| QUANTITY | SEE NOTE | 1. WEIGHT : SEE NOTE | | A | | H88.40-LOK | |
| | | 2. VOLUME : SEE NOTE | | SCALE: | | REV. | |
| | | | | 2:1 | | 01 | |
| | | | |  | | SHEET 1 OF 1 | |