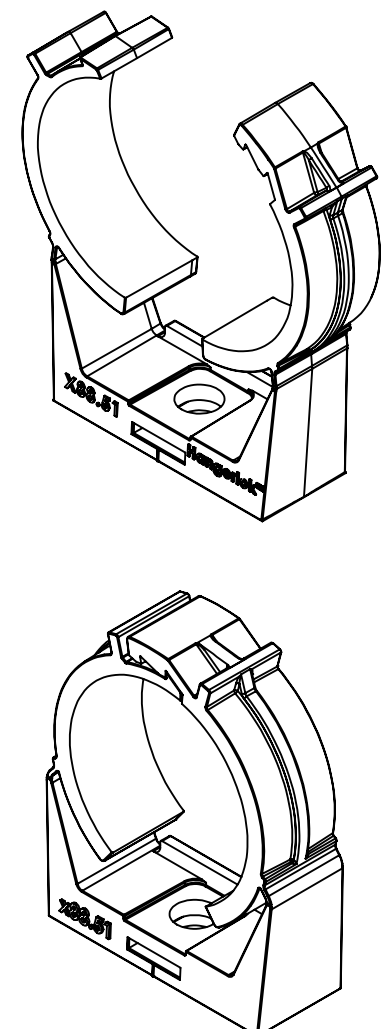
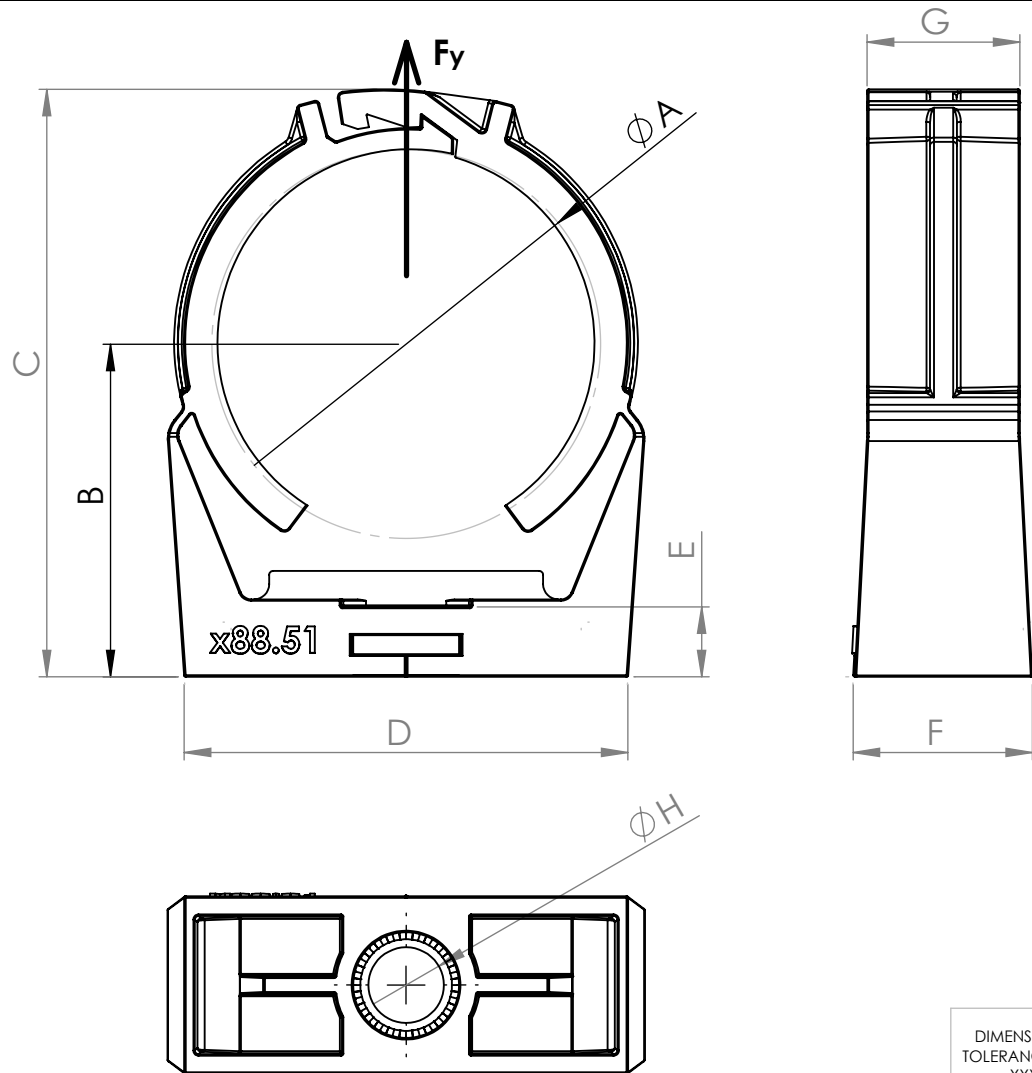


PARAMETRIC TABLE

H88 SERIES	ØA			B	C	D	E	F	G	ØH	Fy (Straight Pull, lbs)
		Inch	MM								
H88.51-LOK	Min	2.01	51.0	1.74	3.10	2.13	0.36	0.93	0.81	0.39	294-422
	Max	2.19	55.5	1.85	3.17						



PROPRIETARY AND CONFIDENTIAL

THIS DRAWING AND INFORMATION HEREIN IS THE PROPERTY OF LITCHFIELD INTERNATIONAL INC., AND IS TO BE USED IN STRICT CONFIDENCE. THIS DRAWING SHALL NOT BE REPRODUCED, COPIED OR GIVEN TO ANY THIRD PARTY WITHOUT EXPRESSED WRITTEN PERMISSION FROM LITCHFIELD INTERNATIONAL INC.

DIMENSIONS ARE IN: INCH TOLERANCES UNLESS SPECIFIED		NAME	DATE		Litchfield International Inc.		
.XXX	±0.005	DRAFTSMAN	PDT		7/8/2018		
.XX	±0.03	CHECKER	PDT		PART DESCRIPTION H88.51-LOK		
.X	±0.01	DESIGNER	HANGERLOK		ASSY NO.	PC PART NO. H88.51-LOK	
ANGULAR	±1°	APPROVED	HANGERLOK		RELEASE DATE		
MATERIAL	SEE NOTE	COMMENTS / REMARKS			SIZE	DWG NO. H88.51-LOK	REV. 01
FINISH	SEE NOTE	1. WEIGHT : SEE NOTE 2. VOLUME : SEE NOTE			SCALE: 2:1		SHEET 1 OF 1
QUANTITY	SEE NOTE						