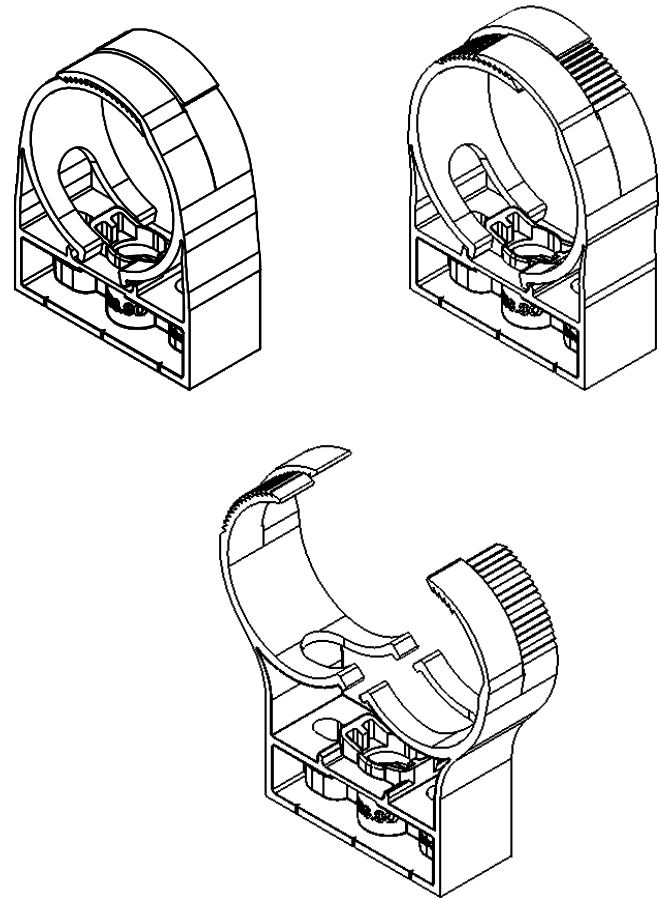
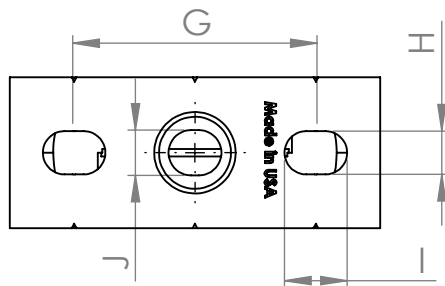
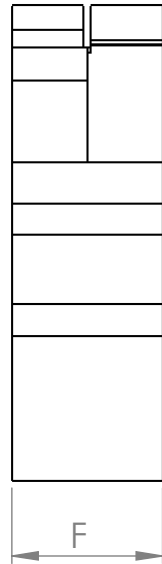
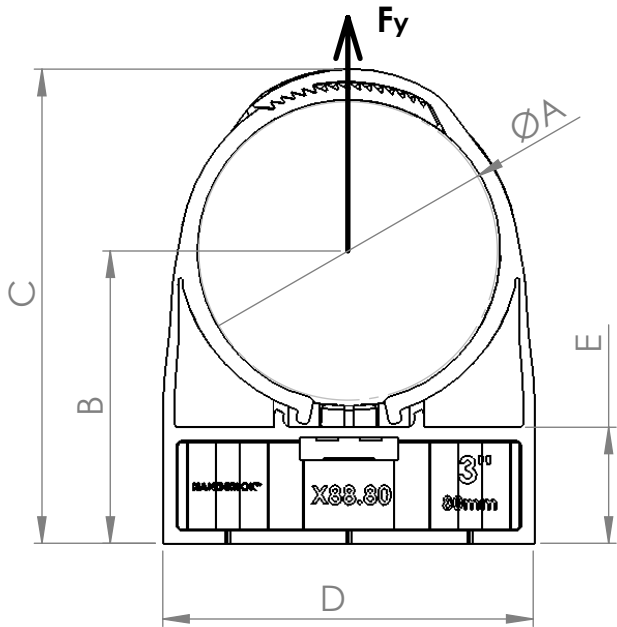


H88 SERIES	ØA			B	C	D	E	F	G	H	I	J	Fy (Straight Pull, lbs)
		INCH	MM										
H88.80-LOK	MIN	3.15	80	3.04	4.94	3.86	1.21	1.57	2.54	.48	.65	.5	1029
	MAX	3.54	90	3.23	5.32								



PROPRIETARY AND CONFIDENTIAL

THIS DRAWING AND INFORMATION HEREIN IS THE PROPERTY OF LITCHFIELD INTERNATIONAL INC., AND IS TO BE USED IN STRICT CONFIDENCE. THIS DRAWING SHALL NOT BE REPRODUCED, COPIED OR GIVEN TO ANY THIRD PARTY WITHOUT EXPRESSED WRITTEN PERMISSION FROM LITCHFIELD INTERNATIONAL INC.

DIMENSIONS ARE IN: INCH TOLERANCES UNLESS SPECIFIED		NAME	DATE	Litchfield International Inc.	
.XXX	±0.005	DRAFTSMAN	PDT	7/8/2018	
.XX	±0.03	CHECKER	PDT		
.X	±0.01	DESIGNER	HANGERLOK	PART DESCRIPTION	H88.80-LOK
ANGULAR	±1°	APPROVED	HANGERLOK	ASSY NO.	PC PART NO. H88.80-LOK
MATERIAL	SEE NOTE	RELEASE DATE		SIZE	DWG NO. H88.80-LOK
FINISH	SEE NOTE	COMMENTS / REMARKS	1. WEIGHT : SEE NOTE 2. VOLUME : SEE NOTE	SCALE:	1:2
QUANTITY	SEE NOTE				

