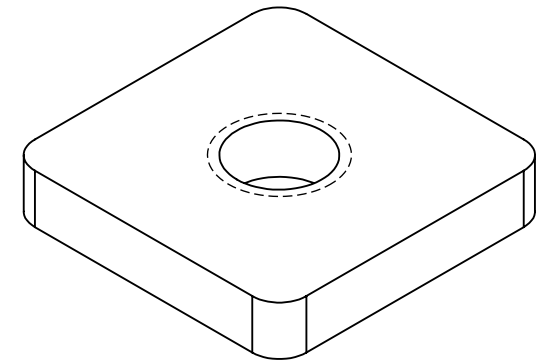
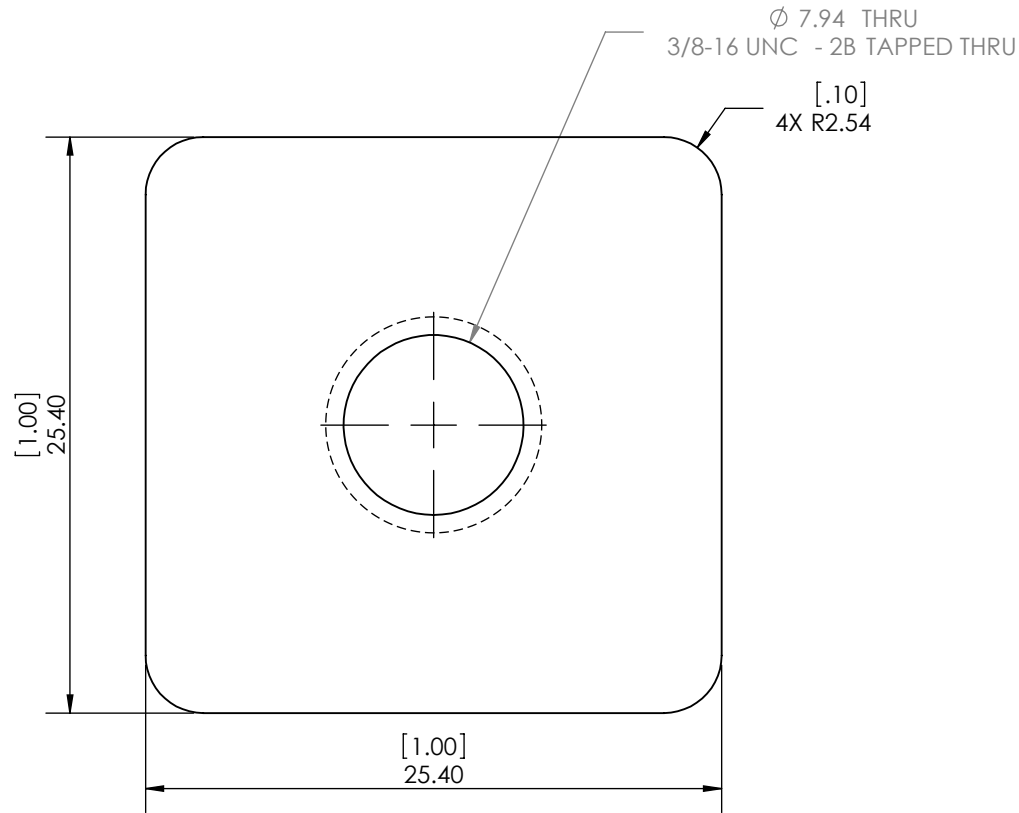




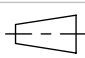
Note: LT106 use with H88 HangerLok from H88.71 to H88.113

REVISIONS				
ZONE	REV.	DESCRIPTION	DATE	APPROVED
	00	INITIAL RELEASE	--	



PROPRIETARY AND CONFIDENTIAL

THIS DRAWING AND INFORMATION HEREIN IS THE PROPERTY OF LITCHFIELD INTERNATIONAL INC., AND IS TO BE USED IN STRICT CONFIDENCE. THIS DRAWING SHALL NOT BE REPRODUCED, COPIED OR GIVEN TO ANY THIRD PARTY WITHOUT EXPRESSED WRITTEN PERMISSION FROM LITCHFIELD INTERNATIONAL INC.

DIMENSIONS ARE IN: MM TOLERANCES UNLESS SPECIFIED		NAME	DATE		Litchfield International Inc.	
.XXX	±0.005	DRAFTSMAN	PDT		7/8/2018	
.XX	±0.03	CHECKER	PDT		PART DESCRIPTION	
.X	±0.01	DESIGNER	LITCHFIELD		LT 106 FLANGE	
ANGULAR	±1°	APPROVED	LITCHFIELD		ASSY NO.	PC PART NO.
MATERIAL	STAINLESS STEEL	RELEASE DATE				
FINISH	SMOOTH	COMMENTS / REMARKS		SIZE	DWG. NO.	REV.
QUANTITY	-	1. WEIGHT :		A	LT 106	
		2. VOLUME :		SCALE:		
				3:1		
						SHEET 1 OF 1