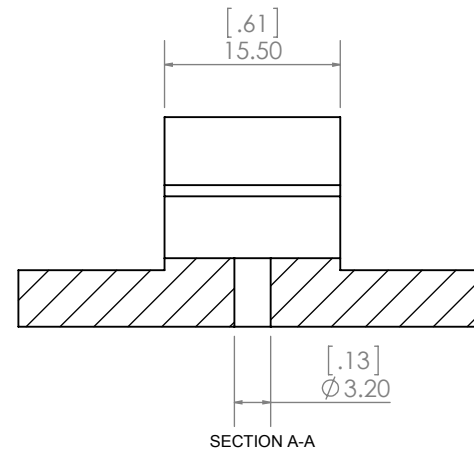
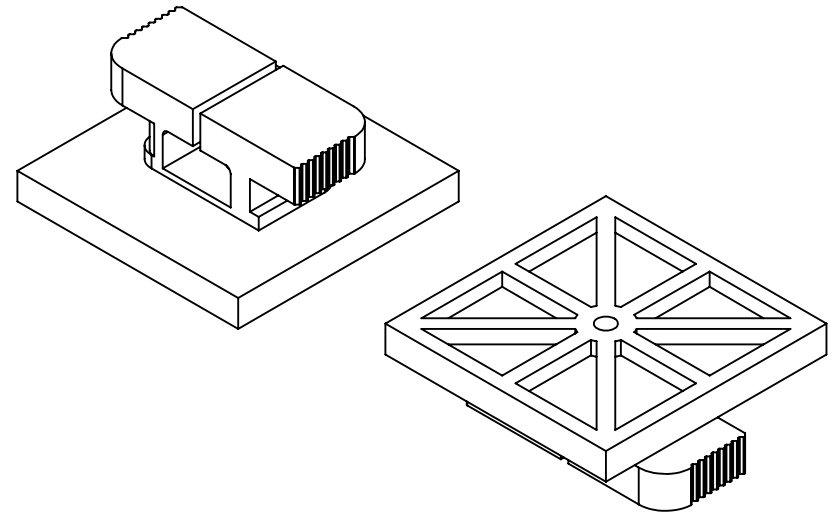
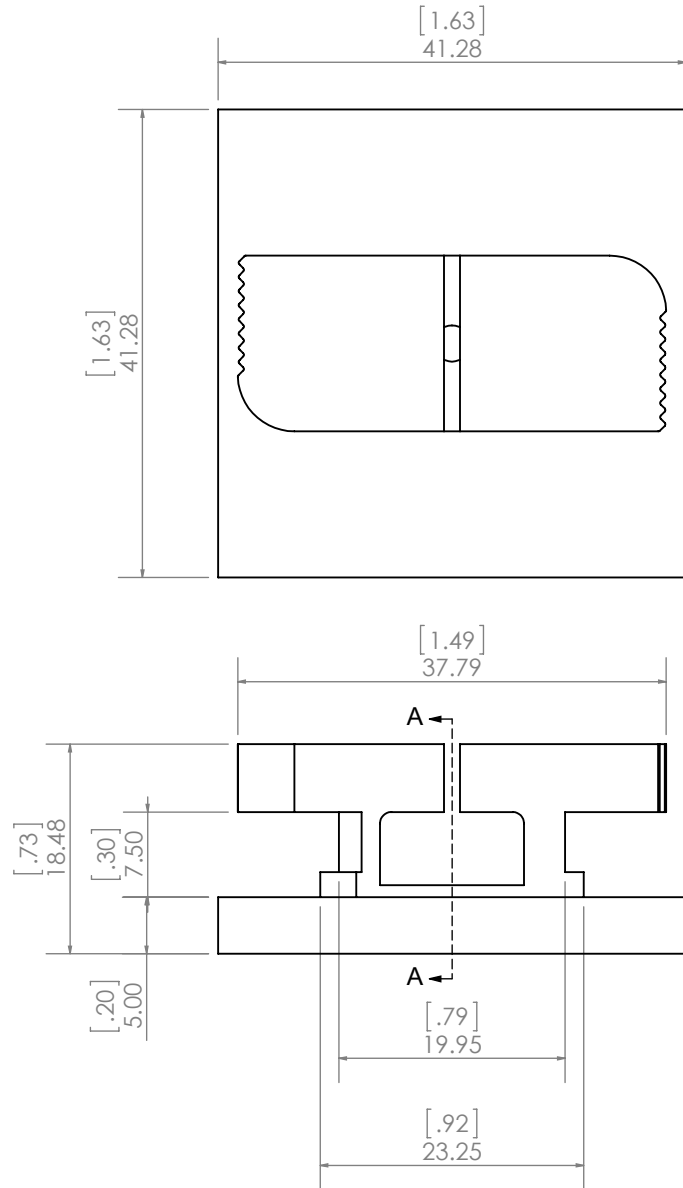


LT109-2 STRUTCATCHER
FOR USE WITH H88.12-LOK TO H88.113-LOK



PROPRIETARY AND CONFIDENTIAL

THIS DRAWING AND INFORMATION HEREIN IS THE PROPERTY OF LITCHFIELD INTERNATIONAL INC., AND IS TO BE USED IN STRICT CONFIDENCE. THIS DRAWING SHALL NOT BE REPRODUCED, COPIED OR GIVEN TO ANY THIRD PARTY WITHOUT EXPRESSED WRITTEN PERMISSION FROM LITCHFIELD INTERNATIONAL INC.

DIMENSIONS ARE IN: MM TOLERANCES UNLESS SPECIFIED		NAME	DATE	Litchfield International Inc.	
.XXX	±0.005	DRAFTSMAN	PDT	7/8/2018	
.XX	±0.03	CHECKER	PDT		
.X	±0.01	DESIGNER	LITCHFIELD		
ANGULAR	±1°	APPROVED	LITCHFIELD		
MATERIAL	SEE NOTE	RELEASE DATE		PART DESCRIPTION	LT109-2
FINISH	SEE NOTE	COMMENTS / REMARKS		ASSY NO.	PC PART NO. LT109-2
QUANTITY	SEE NOTE	1. WEIGHT :		SIZE	DWG NO. LT109-2
		2. VOLUME :		SCALE: A	REV. 00
				3:2	SHEET 1 OF 1