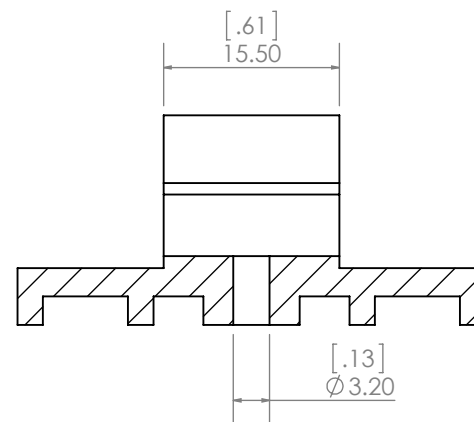
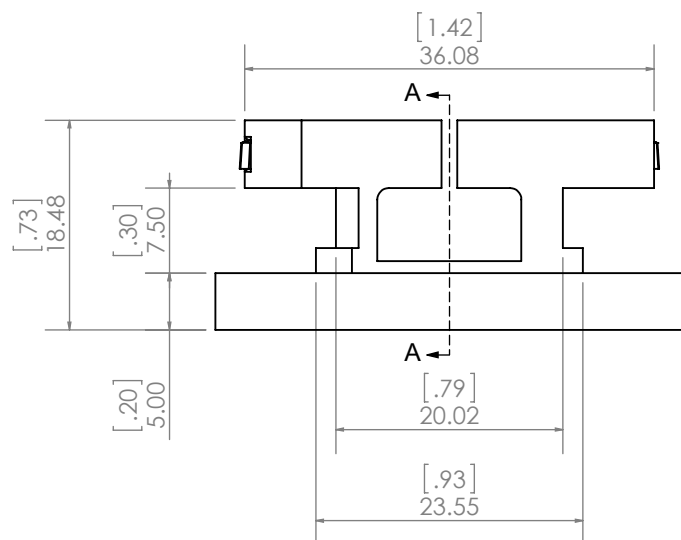
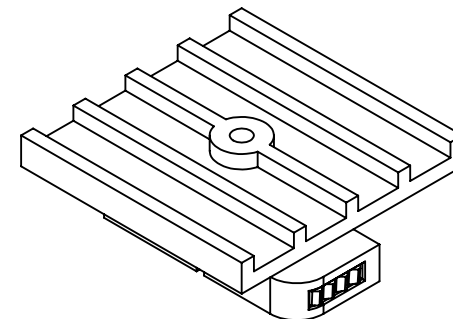
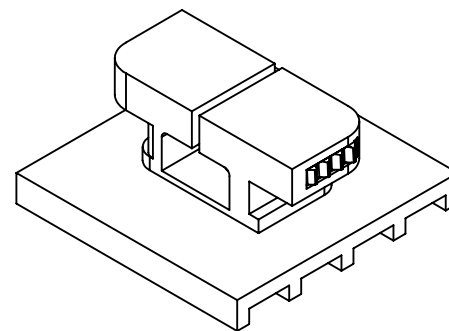
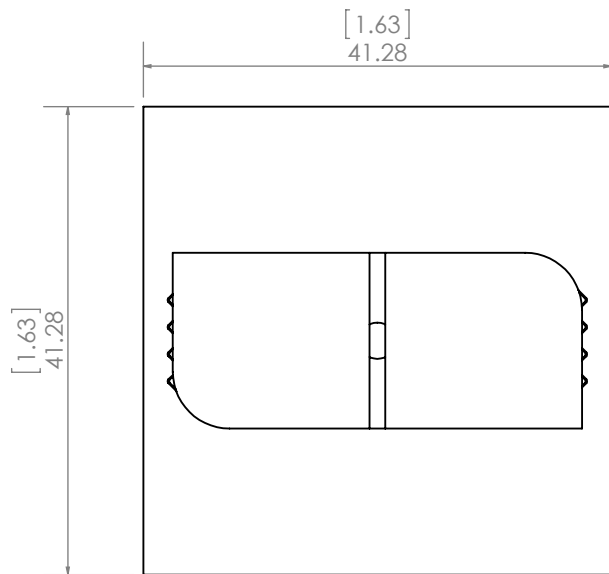


LT-109 STRUTCATCHER FOR USE WITH H88.12-LOK TO H88.113-LOK



SECTION A-A

PROPRIETARY AND CONFIDENTIAL

THIS DRAWING AND INFORMATION HEREIN IS THE PROPERTY OF LITCHFIELD INTERNATIONAL INC., AND IS TO BE USED IN STRICT CONFIDENCE. THIS DRAWING SHALL NOT BE REPRODUCED, COPIED OR GIVEN TO ANY THIRD PARTY WITHOUT EXPRESSED WRITTEN PERMISSION FROM LITCHFIELD INTERNATIONAL INC.

DIMENSIONS ARE IN: MM TOLERANCES UNLESS SPECIFIED		NAME	DATE		Litchfield International Inc.	
.XXX	±0.005	DRAFTSMAN	PDT		7/8/2018	
.XX	±0.03	CHECKER	PDT		PART DESCRIPTION	
.X	±0.01	DESIGNER	LITCHFIELD		LT109	
ANGULAR	±1°	APPROVED	LITCHFIELD		ASSY NO.	PC PART NO.
MATERIAL	SEE NOTE	RELEASE DATE				LT109
FINISH	SEE NOTE	COMMENTS / REMARKS			SIZE	DWG NO.
QUANTITY	SEE NOTE	1. WEIGHT :			A	LT109
		2. VOLUME :			SCALE:	REV.
					3:2	00
						SHEET 1 OF 1