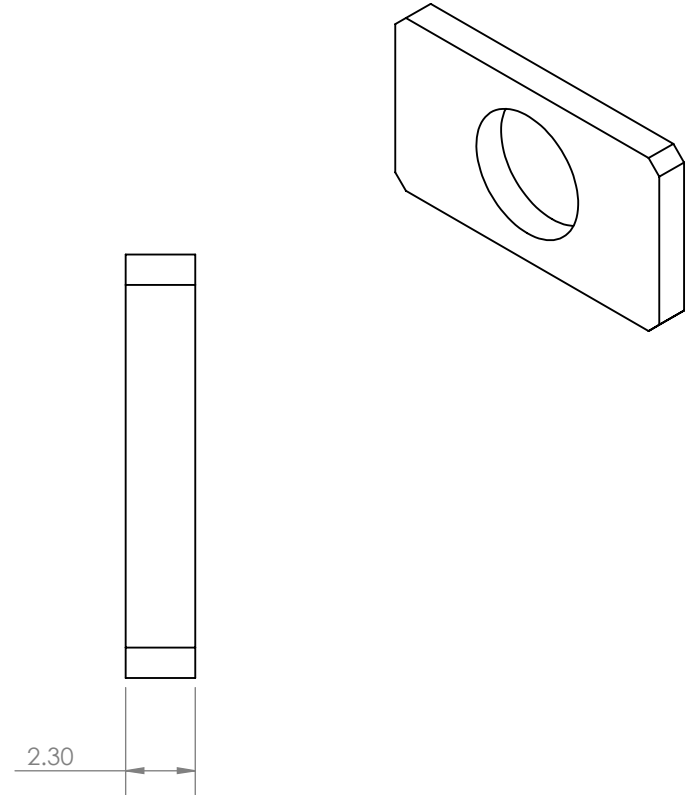
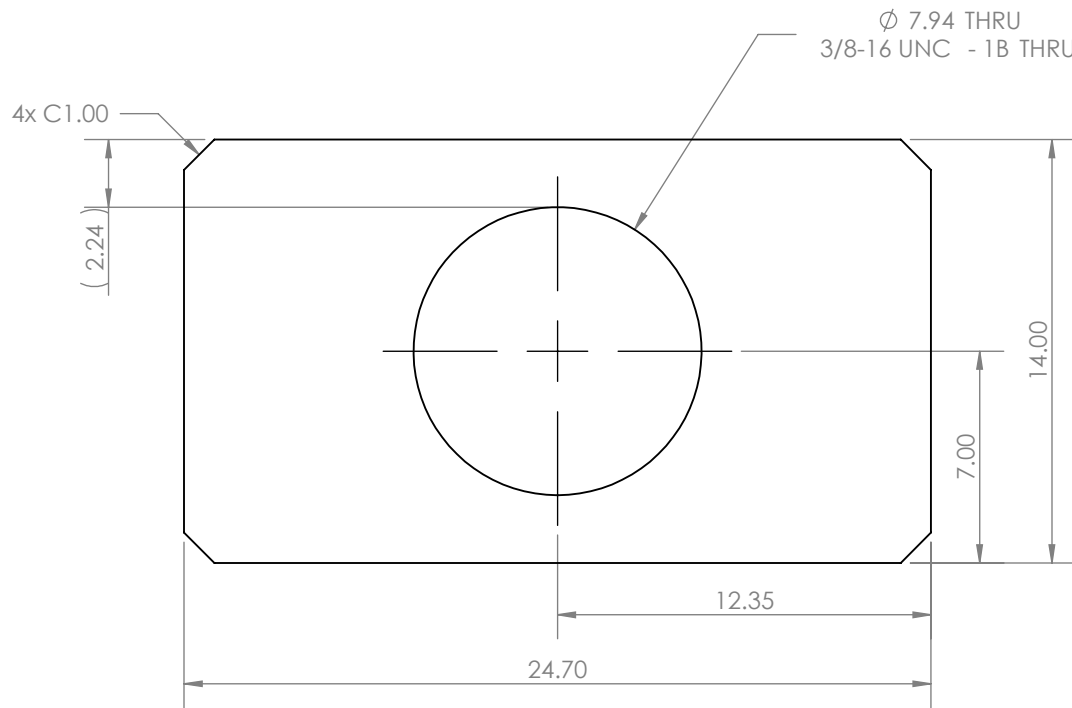


HangerLoK[®]
one level up

From the people who have been serving the construction and design communities since 1984

FLANGES

REVISIONS				
ZONE	REV.	DESCRIPTION	DATE	APPROVED
	00	INITIAL RELEASE	--	
	01	RESIZE FLANGE/ ADD 3/8 TAP HOLE	3/06/12	

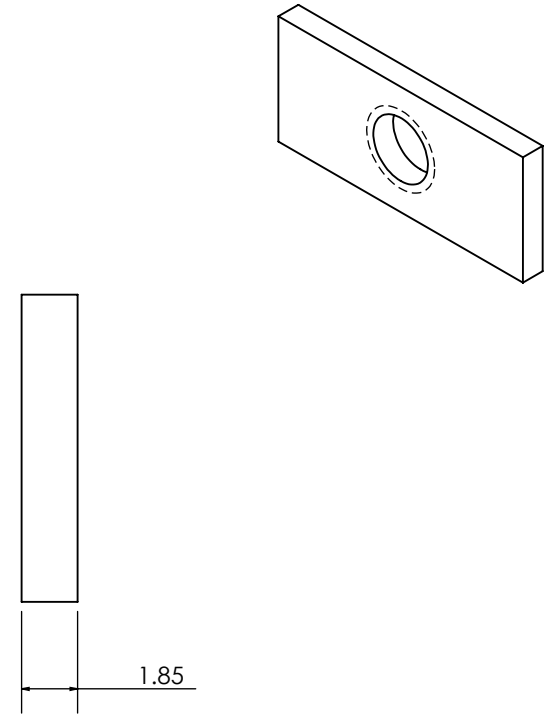
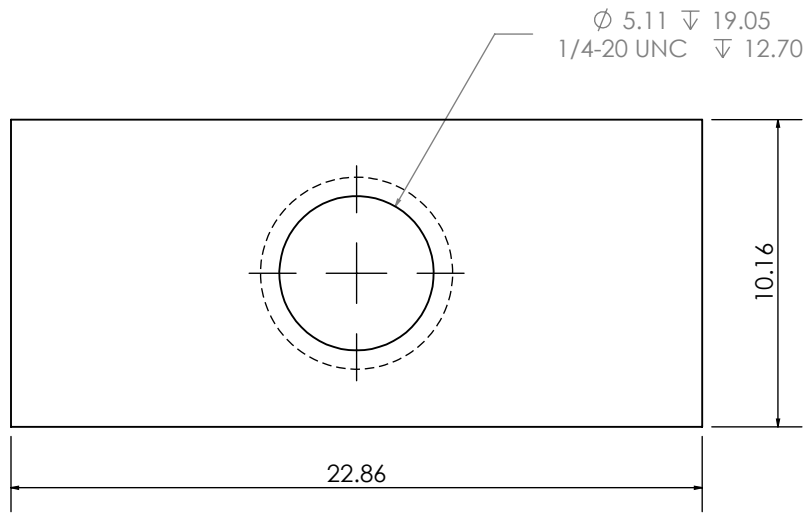


PROPRIETARY AND CONFIDENTIAL

THIS DRAWING AND INFORMATION HEREIN IS THE PROPERTY OF LITCHFIELD INTERNATIONAL INC., AND IS TO BE USED IN STRICT CONFIDENCE. THIS DRAWING SHALL NOT BE REPRODUCED, COPIED OR GIVEN TO ANY THIRD PARTY WITHOUT EXPRESSED WRITTEN PERMISSION FROM LITCHFIELD INTERNATIONAL INC.



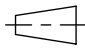
DIMENSIONS ARE IN: MM TOLERANCES UNLESS SPECIFIED		NAME	DATE		Litchfield International Inc.	
.XXX	±0.005	DRAFTSMAN	PDT		4/15/2013	
.XX	±0.03	CHECKER				
.X	±0.01	DESIGNER				
ANGULAR	±1°	APPROVED	K. ELLETT II			
MATERIAL	STAINLESS STEEL	RELEASE DATE				
FINISH	SMOOTH	COMMENTS / REMARKS				
QUANTITY	SEE NOTE	1. WEIGHT :				
		2. VOLUME :				
				PART DESCRIPTION	LT101 FLANGE	
				ASSY NO.	PC PART NO. LT101	
				SIZE A	DWG NO. LT-101 Rev 01	REV. 01
				SCALE: 4:1		
				SHEET 1 OF 1		

REVISIONS				
ZONE	REV.	DESCRIPTION	DATE	APPROVED
	00	INITIAL RELEASE	--	

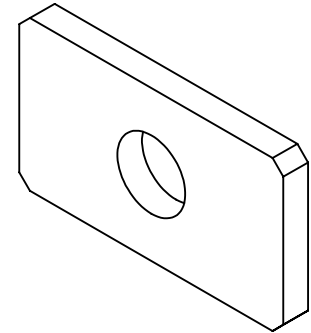
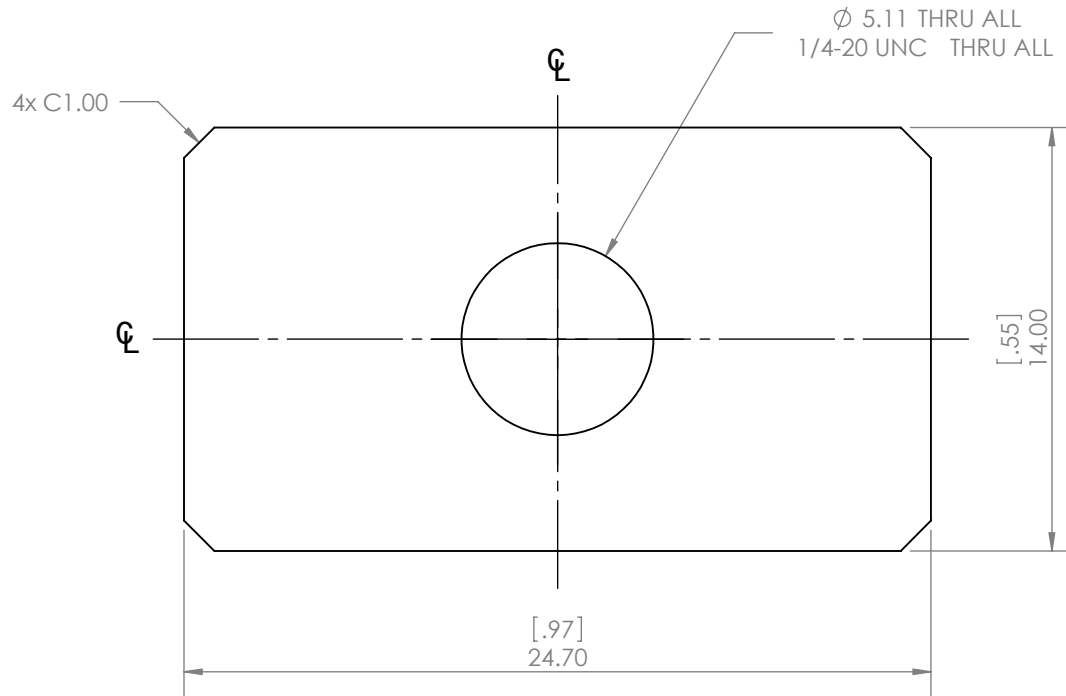





PROPRIETARY AND CONFIDENTIAL

THIS DRAWING AND INFORMATION HEREIN IS THE PROPERTY OF LITCHFIELD INTERNATIONAL INC., AND IS TO BE USED IN STRICT CONFIDENCE. THIS DRAWING SHALL NOT BE REPRODUCED, COPIED OR GIVEN TO ANY THIRD PARTY WITHOUT EXPRESSED WRITTEN PERMISSION FROM LITCHFIELD INTERNATIONAL INC.

DIMENSIONS ARE IN: MM TOLERANCES UNLESS SPECIFIED .XXX ±0.005 .XX ±0.03 .X ±0.01 ANGULAR ±1°		<table border="1"> <thead> <tr> <th>NAME</th> <th>DATE</th> </tr> </thead> <tbody> <tr> <td>DRAFTSMAN PDT</td> <td>4/12/2013</td> </tr> <tr> <td>CHECKER</td> <td></td> </tr> <tr> <td>DESIGNER</td> <td></td> </tr> <tr> <td>APPROVED</td> <td></td> </tr> <tr> <td>RELEASE DATE</td> <td></td> </tr> </tbody> </table>	NAME	DATE	DRAFTSMAN PDT	4/12/2013	CHECKER		DESIGNER		APPROVED		RELEASE DATE		 <p>Litchfield International Inc.</p>
NAME	DATE														
DRAFTSMAN PDT	4/12/2013														
CHECKER															
DESIGNER															
APPROVED															
RELEASE DATE															
MATERIAL STAINLESS STEEL	<table border="1"> <thead> <tr> <th colspan="2">PART DESCRIPTION</th> </tr> </thead> <tbody> <tr> <td colspan="2">LT 101 FLANGE</td> </tr> <tr> <td>ASSY NO.</td> <td>PC PART NO.</td> </tr> </tbody> </table>	PART DESCRIPTION		LT 101 FLANGE		ASSY NO.	PC PART NO.								
PART DESCRIPTION															
LT 101 FLANGE															
ASSY NO.	PC PART NO.														
FINISH SEE NOTE	COMMENTS / REMARKS 1. WEIGHT : 2. VOLUME :	<table border="1"> <thead> <tr> <th>SIZE</th> <th>DWG NO.</th> <th>REV.</th> </tr> </thead> <tbody> <tr> <td>A</td> <td>LT 101</td> <td></td> </tr> </tbody> </table>	SIZE	DWG NO.	REV.	A	LT 101								
SIZE	DWG NO.	REV.													
A	LT 101														
QUANTITY SEE NOTE		SCALE: 4:1  	SHEET 1 OF 1												

REVISIONS				
ZONE	REV.	DESCRIPTION	DATE	APPROVED
	00	INITIAL RELEASE	--	



DIMENSIONS ARE IN: MM TOLERANCES UNLESS SPECIFIED .XXX ±0.005 .XX ±0.03 .X ±0.01 ANGULAR ±1°	DRAFTSMAN	PDT	5/19/2014	 Litchfield International Inc.			
	CHECKER						
	DESIGNER			PART DESCRIPTION	LT101 FLANGE		
	APPROVED			ASSY NO.	PC PART NO.		
MATERIAL	STAINLESS STEEL			LT101			
FINISH	SMOOTH			SIZE	DWG NO.	REV.	
QUANTITY	SEE NOTE			A	LT-101 Rev 01	01	
COMMENTS / REMARKS 1. WEIGHT : 2. VOLUME :				SCALE:	4:1	 	SHEET 1 OF 1

PROPRIETARY AND CONFIDENTIAL

THIS DRAWING AND INFORMATION HEREIN IS THE PROPERTY OF LITCHFIELD INTERNATIONAL INC., AND IS TO BE USED IN STRICT CONFIDENCE. THIS DRAWING SHALL NOT BE REPRODUCED, COPIED OR GIVEN TO ANY THIRD PARTY WITHOUT EXPRESSED WRITTEN PERMISSION FROM LITCHFIELD INTERNATIONAL INC.