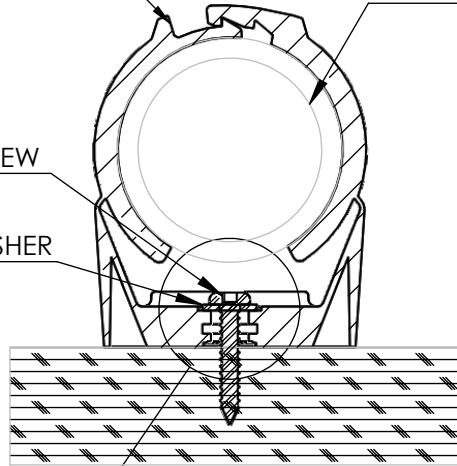


X88 SERIES #32~#59

PIPE/TUBE

#10 OR #12 SCREW

1/2" WASHER

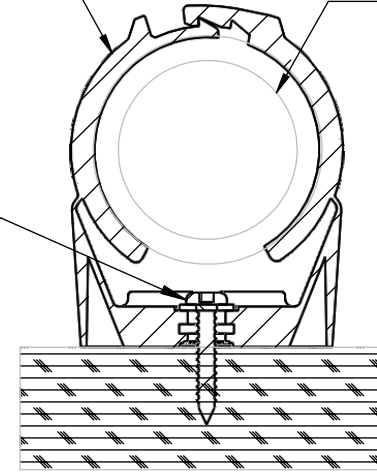


SCREW AND WASHER  
INSTALLATION

X88 SERIES #32~#59

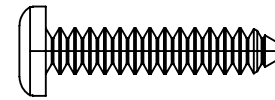
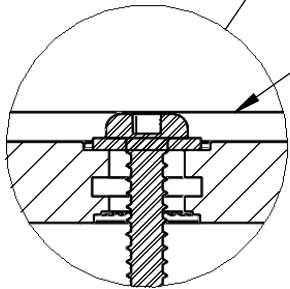
PIPE/TUBE

LOK SCREW

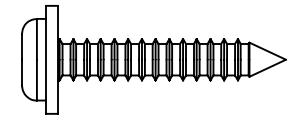


HANGERLOK SCREW  
INSTALLATION

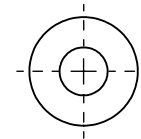
SCREW HEAD MUST NOT  
EXCEED THIS LIMIT



#10 ~ #12 SCREW



LOK SCREW:  
HANGERLOK CUSTOMIZE  
#12 PAN HEAD SCREW



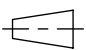


1/2" WASHER

DETAIL G  
SCALE 1 : 1

**PROPRIETARY AND CONFIDENTIAL**

THIS DRAWING AND INFORMATION HEREIN IS THE PROPERTY OF LITCHFIELD INTERNATIONAL INC., AND IS TO BE USED IN STRICT CONFIDENCE. THIS DRAWING SHALL NOT BE REPRODUCED, COPIED OR GIVEN TO ANY THIRD PARTY WITHOUT EXPRESSED WRITTEN PERMISSION FROM LITCHFIELD INTERNATIONAL INC.

DIMENSIONS ARE IN: INCH TOLERANCES UNLESS SPECIFIED .XXX ±0.005 .XX ±0.03 .X ±0.01 ANGULAR ±1°		<b>NAME</b>	<b>DATE</b>	 <b>Litchfield International Inc.</b>
	DRAFTSMAN	PDT	2/1/2016	
	CHECKER	PDT		
	DESIGNER	HANGERLOK		
	APPROVED	HANGERLOK		PART DESCRIPTION <b>HANGERLOK #32-#59 INSTALLATION WITH SCREWS</b>
MATERIAL	SEE NOTE	RELEASE DATE		ASSY NO. _____ PC PART NO. _____
FINISH	SEE NOTE	COMMENTS / REMARKS		SIZE DWG NO. <b>#32-#59</b> REV. 00
QUANTITY	SEE NOTE	1. WEIGHT : SEE NOTE 2. VOLUME : SEE NOTE		SCALE: <b>1:4</b>   SHEET 1 OF 1