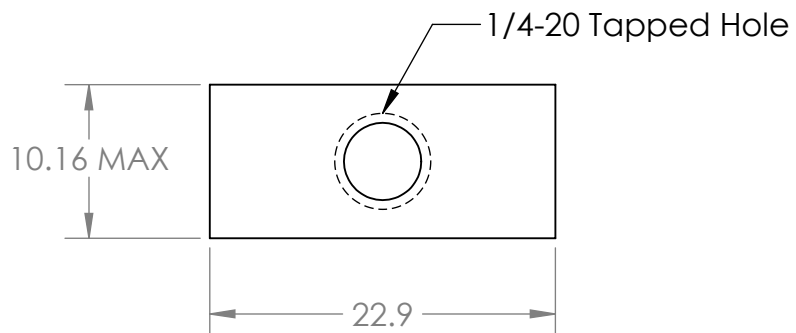
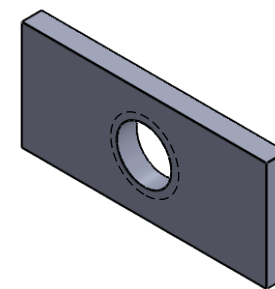
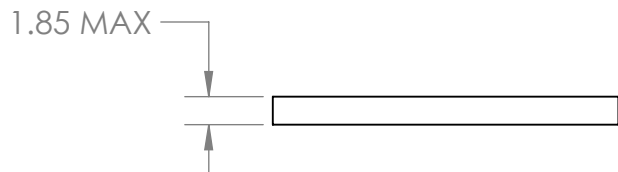


2

1

B

B



A

A

PROPRIETARY AND CONFIDENTIAL
 THE INFORMATION CONTAINED IN THIS DRAWING IS THE SOLE PROPERTY OF LITCHFIELD-HANGERLOK. ANY REPRODUCTION IN PART OR AS A WHOLE WITHOUT THE WRITTEN PERMISSION OF LITCHFIELD_HANGERLOK IS PROHIBITED.

UNLESS OTHERWISE SPECIFIED:		NAME	DATE	Litchfield-HangerLok	
DIMENSIONS ARE IN MM TOLERANCES: ANGULAR: ±0.5 DEG ONE PLACE DECIMAL: ±.3 TWO PLACE DECIMAL: ±.13		DRAWN	JS		
MATERIAL 304 SS		MFG APPR.		TITLE: Flange, 12-25, 1/4" thread	
		Q.A.			
FINISH Nil		COMMENTS:		SIZE A	DWG. NO. F1225-14
				REV A	
DO NOT SCALE DRAWING				SHEET 1 OF 1	

2

1