

4

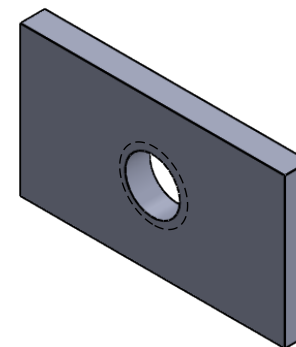
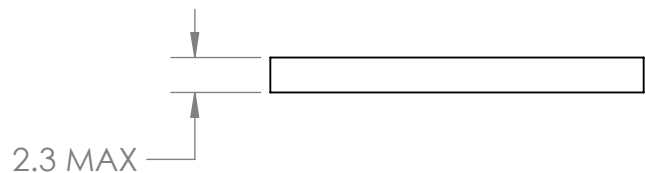
3

2

1

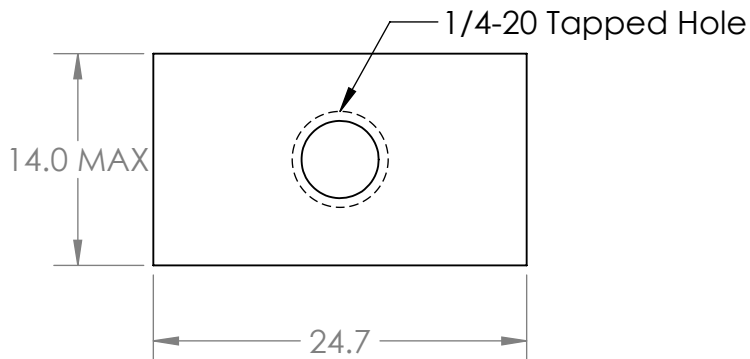
D

D



C

C



B

B

A

A

PROPRIETARY AND CONFIDENTIAL
 THE INFORMATION CONTAINED IN THIS DRAWING IS THE SOLE PROPERTY OF LITCHFIELD-HANGERLOK. ANY REPRODUCTION IN PART OR AS A WHOLE WITHOUT THE WRITTEN PERMISSION OF LITCHFIELD_HANGERLOK IS PROHIBITED.

UNLESS OTHERWISE SPECIFIED:		NAME	DATE	Litchfield-HangerLok		
DIMENSIONS ARE IN MM TOLERANCES: ANGULAR: ±0.5 DEG ONE PLACE DECIMAL: ±.3 TWO PLACE DECIMAL: ±.13 UNLESS OTHERWISE SPECIFIED		DRAWN	JS			5/5/2021
		MFG APPR.		TITLE: Flange, 28-59, 1/4" Thread		
		Q.A.				
MATERIAL 304 SS		COMMENTS:		SIZE	DWG. NO.	REV
				A	F2859-14	A
FINISH Nil				DO NOT SCALE DRAWING		SHEET 1 OF 1

4

3

2

1