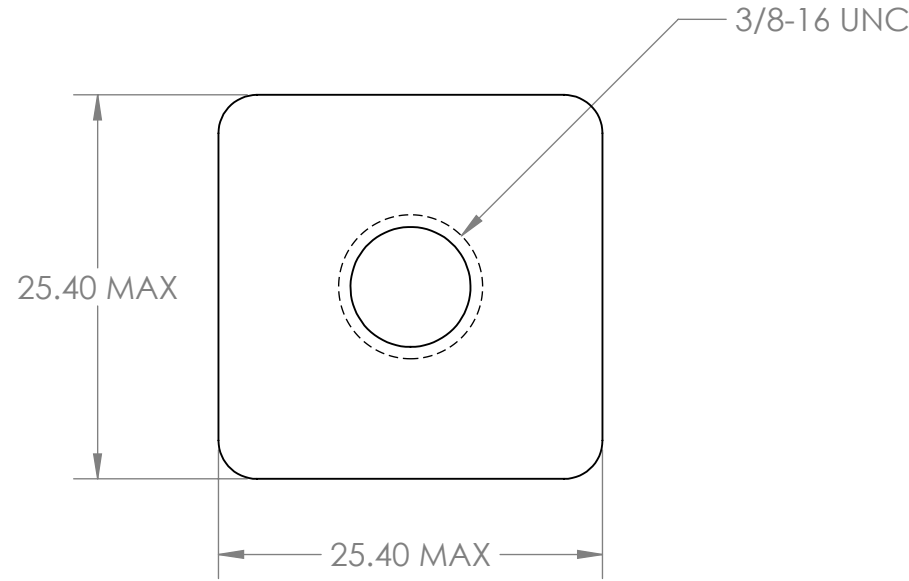
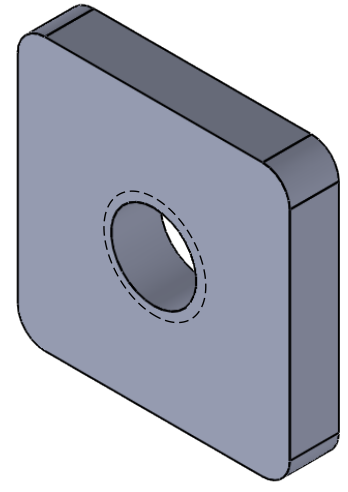
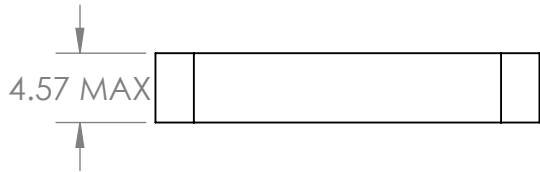


2

1

B

B



A

A

PROPRIETARY AND CONFIDENTIAL
 THE INFORMATION CONTAINED IN THIS DRAWING IS THE SOLE PROPERTY OF LITCHFIELD-HANGERLOK. ANY REPRODUCTION IN PART OR AS A WHOLE WITHOUT THE WRITTEN PERMISSION OF LITCHFIELD_HANGERLOK IS PROHIBITED.

UNLESS OTHERWISE SPECIFIED:		NAME	DATE	Litchfield-HangerLok	
DIMENSIONS ARE IN MM TOLERANCES: ANGULAR: ±0.5 DEG ONE PLACE DECIMAL: ±.3 TWO PLACE DECIMAL: ±.13		DRAWN	JS		
MATERIAL		MFG APPR.		TITLE:	
FINISH		Q.A.		Flange, 71-113, 3/8" thread	
304 SS		COMMENTS:		SIZE	DWG. NO.
Nil				A	F71113-38
				REV	A
				DO NOT SCALE DRAWING	
				SHEET 1 OF 1	

2

1