

4

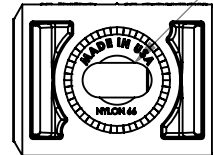
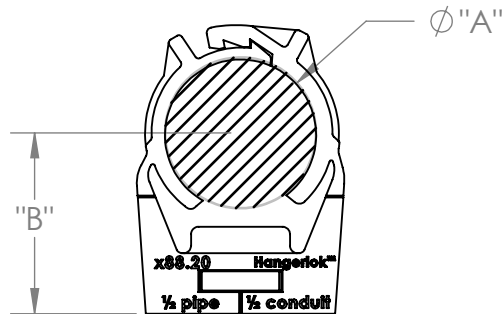
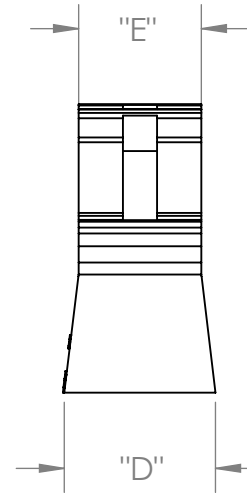
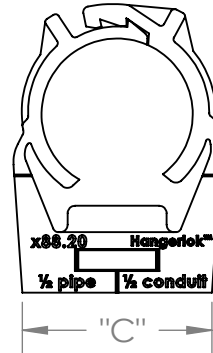
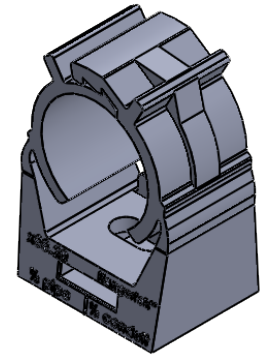
3

2

1

SIZE TABLE	Ø A		B	C	D	E	Ø F
	MIN.	MAX.					
INCHES	0.79	0.87	0.93	0.99	0.80	0.64	.18
MM	20.0	22.0	-	-	-	-	-

PART NUMBER	MATERIAL
<u>H</u> 88.20-LOK	NYLON 6/6
<u>A</u> 88.20-LOK	HDPE



**PROPRIETARY AND CONFIDENTIAL**  
 THE INFORMATION CONTAINED IN THIS DRAWING IS THE SOLE PROPERTY OF LITCHFIELD-HANGERLOK. ANY REPRODUCTION IN PART OR AS A WHOLE WITHOUT THE WRITTEN PERMISSION OF LITCHFIELD\_HANGERLOK IS PROHIBITED.

UNLESS OTHERWISE SPECIFIED:	NAME	DATE
DIMENSIONS ARE AS NOTED IN TABLE.	DRAWN JS	11/20/2020
	MFG APPR.	
	Q.A.	
	COMMENTS:	
MATERIAL See Chart		
FINISH -		

<b>Litchfield-HangerLok</b>		
TITLE: HANGERLOK #20		
SIZE <b>A</b>	DWG. NO. X88.20-LOK rev A	REV <b>A</b>
DO NOT SCALE DRAWING		SHEET 1 OF 1

4

3

2

1

D

D

C

C

B

B

A

A