

4

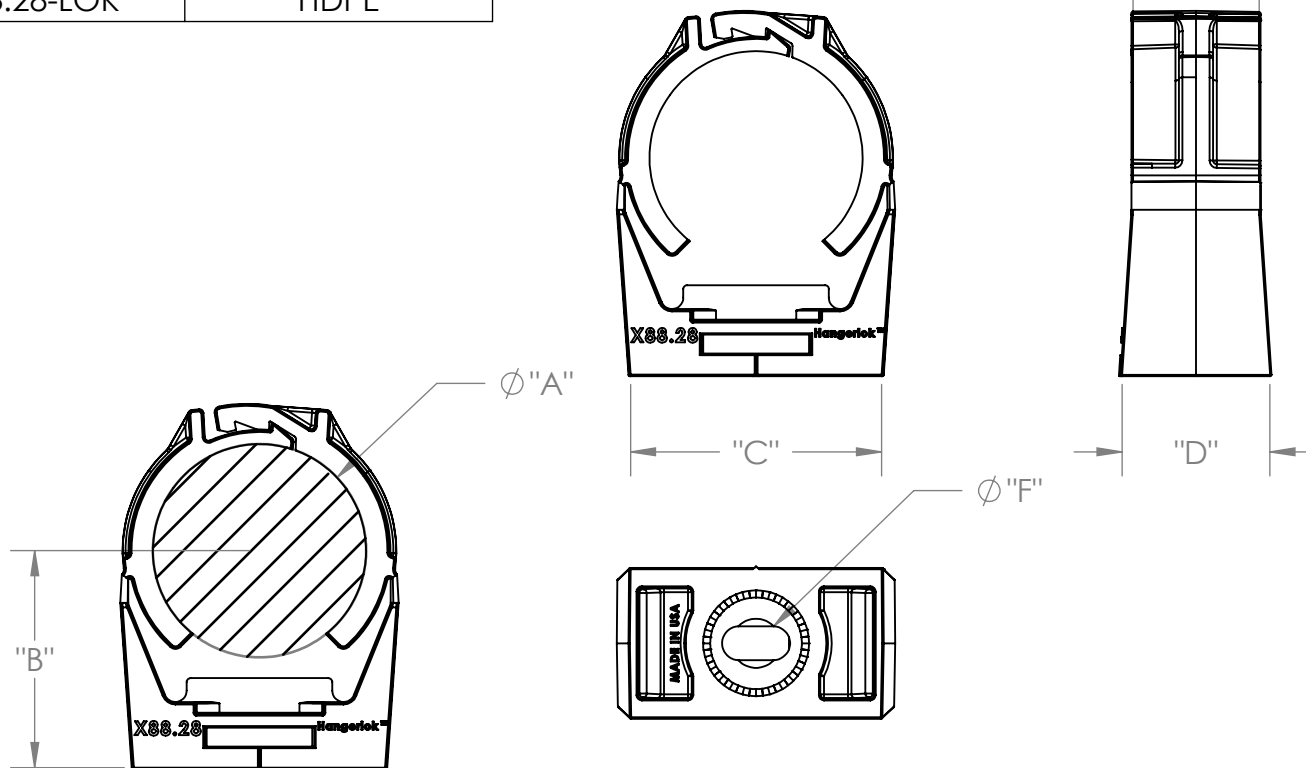
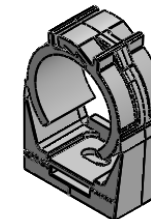
3

2

1

| SIZE TABLE | Ø A  |      | B    | C    | D    | E    | Ø F  |
|------------|------|------|------|------|------|------|------|
|            | MIN. | MAX. |      |      |      |      |      |
| INCHES     | 1.10 | 1.23 | 1.13 | 1.33 | 0.80 | 0.67 | 0.26 |
| MM         | 28.0 | 31.2 | -    | -    | -    | -    | -    |

| PART NUMBER | MATERIAL  |
|-------------|-----------|
| H88.28-LOK  | NYLON 6/6 |
| A88.28-LOK  | HDPE      |



**PROPRIETARY AND CONFIDENTIAL**  
 THE INFORMATION CONTAINED IN THIS DRAWING IS THE SOLE PROPERTY OF LITCHFIELD-HANGERLOK. ANY REPRODUCTION IN PART OR AS A WHOLE WITHOUT THE WRITTEN PERMISSION OF LITCHFIELD\_HANGERLOK IS PROHIBITED.

|                                   |           |            |
|-----------------------------------|-----------|------------|
| UNLESS OTHERWISE SPECIFIED:       | NAME      | DATE       |
| DIMENSIONS ARE AS NOTED IN TABLE. | DRAWN JS  | 11/20/2020 |
|                                   | MFG APPR. |            |
|                                   | Q.A.      |            |
|                                   | COMMENTS: |            |
| MATERIAL See Chart                |           |            |
| FINISH -                          |           |            |

**Litchfield-HangerLok**

TITLE: HANGERLOK #28

|               |                           |              |
|---------------|---------------------------|--------------|
| SIZE <b>A</b> | DWG. NO. X88.28-LOK rev A | REV <b>A</b> |
|---------------|---------------------------|--------------|

DO NOT SCALE DRAWING SHEET 1 OF 1

4

3

2

1

D

D

C

C

B

B

A

A