

4

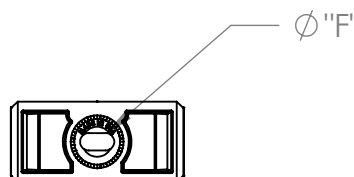
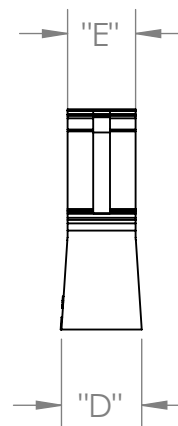
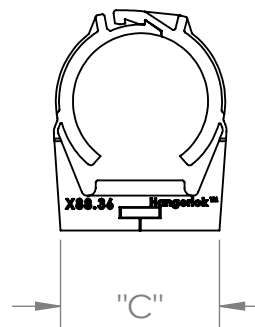
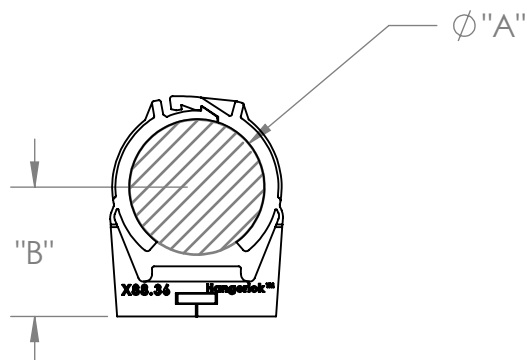
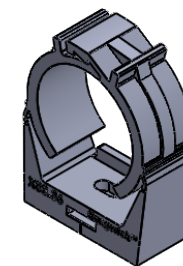
3

2

1

SIZE TABLE	Ø A		B	C	D	E	Ø F
	MIN.	MAX.					
INCHES	1.42	1.56	1.35	1.66	0.85	0.71	0.39
MM	36.0	39.5	-	-	-	-	-

PART NUMBER	MATERIAL
H88.36-LOK	NYLON 6/6
A88.36-LOK	HDPE



PROPRIETARY AND CONFIDENTIAL
 THE INFORMATION CONTAINED IN THIS DRAWING IS THE SOLE PROPERTY OF LITCHFIELD-HANGERLOK. ANY REPRODUCTION IN PART OR AS A WHOLE WITHOUT THE WRITTEN PERMISSION OF LITCHFIELD_HANGERLOK IS PROHIBITED.

UNLESS OTHERWISE SPECIFIED:	NAME	DATE
DIMENSIONS ARE AS NOTED IN TABLE.	DRAWN	JS 11/20/2020
	MFG APPR.	
	Q.A.	
	COMMENTS:	
MATERIAL	See Chart	
FINISH	-	

Litchfield-HangerLok

TITLE: HANGERLOK #36		
SIZE A	DWG. NO. X88.36-LOK rev A	REV A

4

3

2

1

D

D

C

C

B

B

A

A