

4

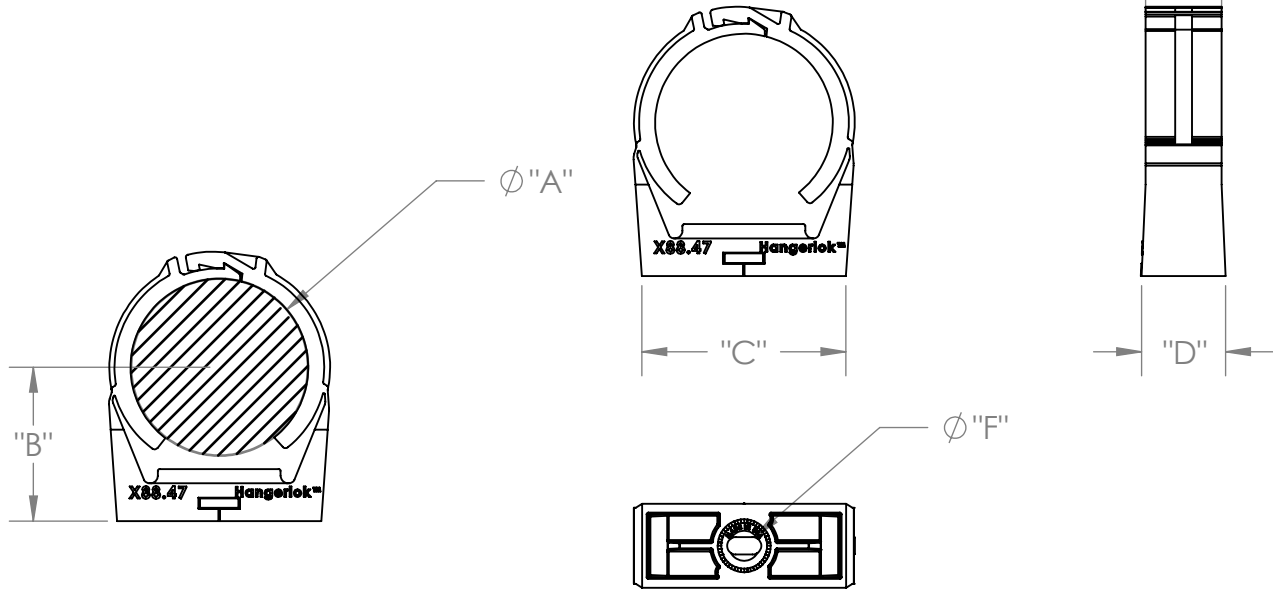
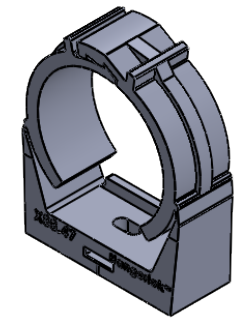
3

2

1

SIZE TABLE	Ø A		B	C	D	E	Ø F
	MIN.	MAX.					
INCHES	1.85	1.99	1.60	2.13	0.89	0.77	0.39
MM	47.0	50.5	-	-	-	-	-

PART NUMBER	MATERIAL
H88.47-LOK	NYLON 6/6
A88.47-LOK	HDPE



PROPRIETARY AND CONFIDENTIAL
 THE INFORMATION CONTAINED IN THIS DRAWING IS THE SOLE PROPERTY OF LITCHFIELD-HANGERLOK. ANY REPRODUCTION IN PART OR AS A WHOLE WITHOUT THE WRITTEN PERMISSION OF LITCHFIELD_HANGERLOK IS PROHIBITED.

UNLESS OTHERWISE SPECIFIED:		NAME	DATE
DIMENSIONS ARE AS NOTED IN TABLE.	DRAWN	JS	11/20/2020
	MFG APPR.		
	Q.A.		
	COMMENTS:		
MATERIAL	See Chart		
FINISH	-		

Litchfield-HangerLok

TITLE:
HANGERLOK #47

SIZE A	DWG. NO. X88.47-LOK rev A	REV A
------------------	------------------------------	-----------------

DO NOT SCALE DRAWING SHEET 1 OF 1

4

3

2

1

D

D

C

C

B

B

A

A