

4

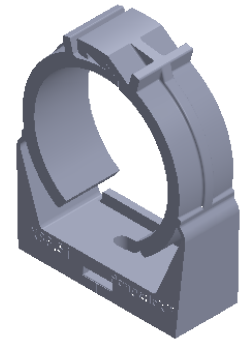
3

2

1

SIZE TABLE	Ø A		B	C	D	E	Ø F
	MIN.	MAX.					
INCHES	2.01	2.19	1.74	2.13	0.93	0.81	0.39
MM	51.0	55.5	-	-	-	-	-

PART NUMBER	MATERIAL
H88.51-LOK	NYLON 6/6
A88.51-LOK	HDPE



D

D

C

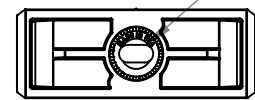
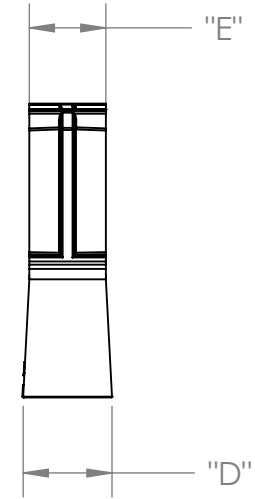
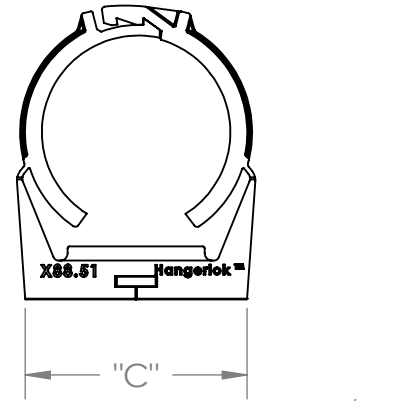
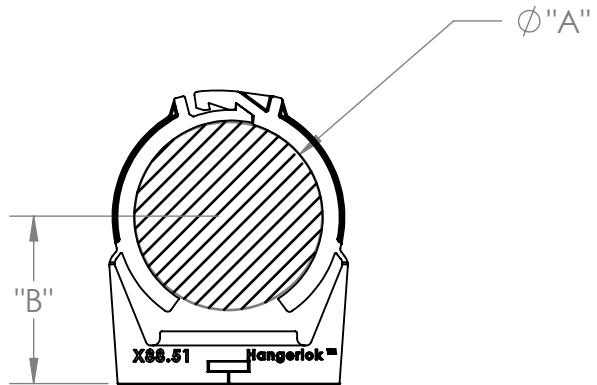
C

B

B

A

A



**PROPRIETARY AND CONFIDENTIAL**  
 THE INFORMATION CONTAINED IN THIS DRAWING IS THE SOLE PROPERTY OF LITCHFIELD-HANGERLOK. ANY REPRODUCTION IN PART OR AS A WHOLE WITHOUT THE WRITTEN PERMISSION OF LITCHFIELD\_HANGERLOK IS PROHIBITED.

UNLESS OTHERWISE SPECIFIED:		NAME	DATE
DIMENSIONS ARE AS NOTED IN TABLE.	DRAWN	JS	11/20/2020
	MFG APPR.		
	Q.A.		
	COMMENTS:		
MATERIAL	See Chart		
FINISH	-		

**Litchfield-HangerLok**

TITLE:  
HANGERLOK #51

SIZE <b>A</b>	DWG. NO. X88.51-LOK rev A	REV <b>A</b>
------------------	------------------------------	-----------------

DO NOT SCALE DRAWING      SHEET 1 OF 1

4

3

2

1