

4

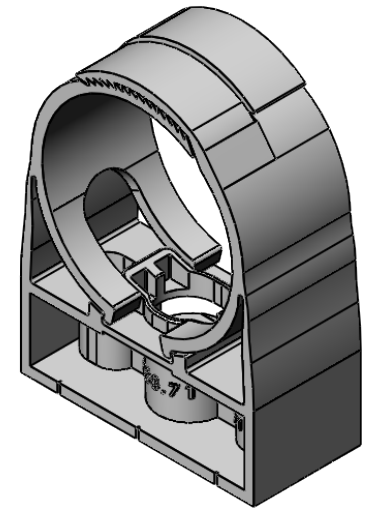
3

2

1

SIZE TABLE	Ø A		B	C	D
	MIN.	MAX.			
INCHES	2.80	3.15	2.72-3.02	3.43	1.57
MM	59.0	64.0	-	-	-

PART NUMBER	MATERIAL
H88.71-LOK	NYLON 6/6
A88.71-LOK	HDPE



D

D

C

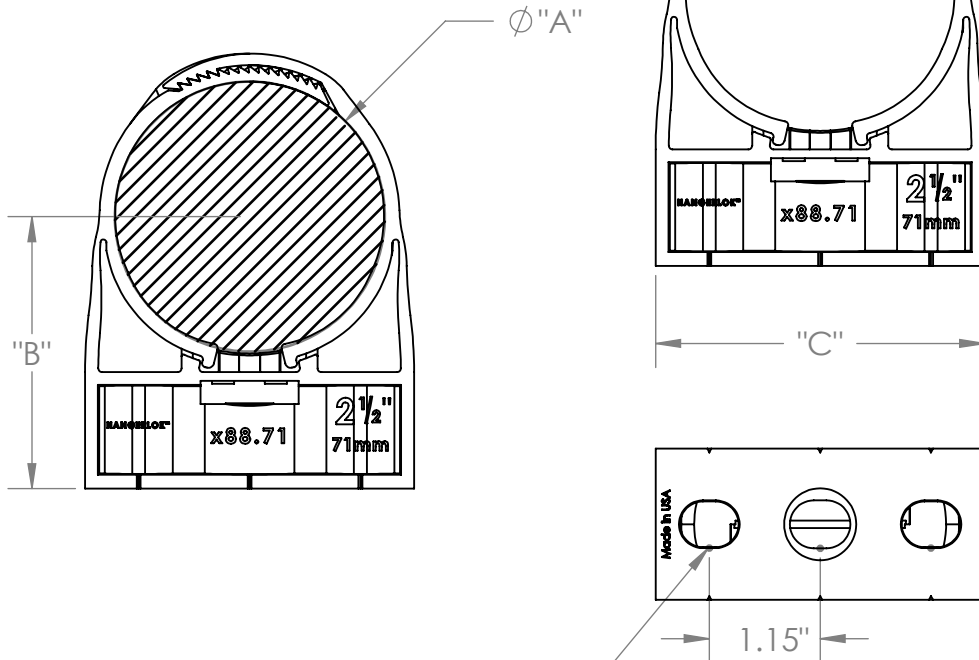
C

B

B

A

A



Slot: 0.45" x 0.65"  
x3 places

**PROPRIETARY AND CONFIDENTIAL**  
THE INFORMATION CONTAINED IN THIS DRAWING IS THE SOLE PROPERTY OF LITCHFIELD-HANGERLOK. ANY REPRODUCTION IN PART OR AS A WHOLE WITHOUT THE WRITTEN PERMISSION OF LITCHFIELD\_HANGERLOK IS PROHIBITED.

UNLESS OTHERWISE SPECIFIED:	NAME	DATE
DIMENSIONS ARE AS NOTED IN TABLE.	DRAWN JS	11/20/2020
	MFG APPR.	
	Q.A.	
	COMMENTS:	
MATERIAL See Chart		
FINISH -		

# Litchfield-HangerLok

TITLE: HANGERLOK #71		
SIZE <b>A</b>	DWG. NO. X88.71-LOK rev A	REV <b>A</b>

4

3

2

1