

4

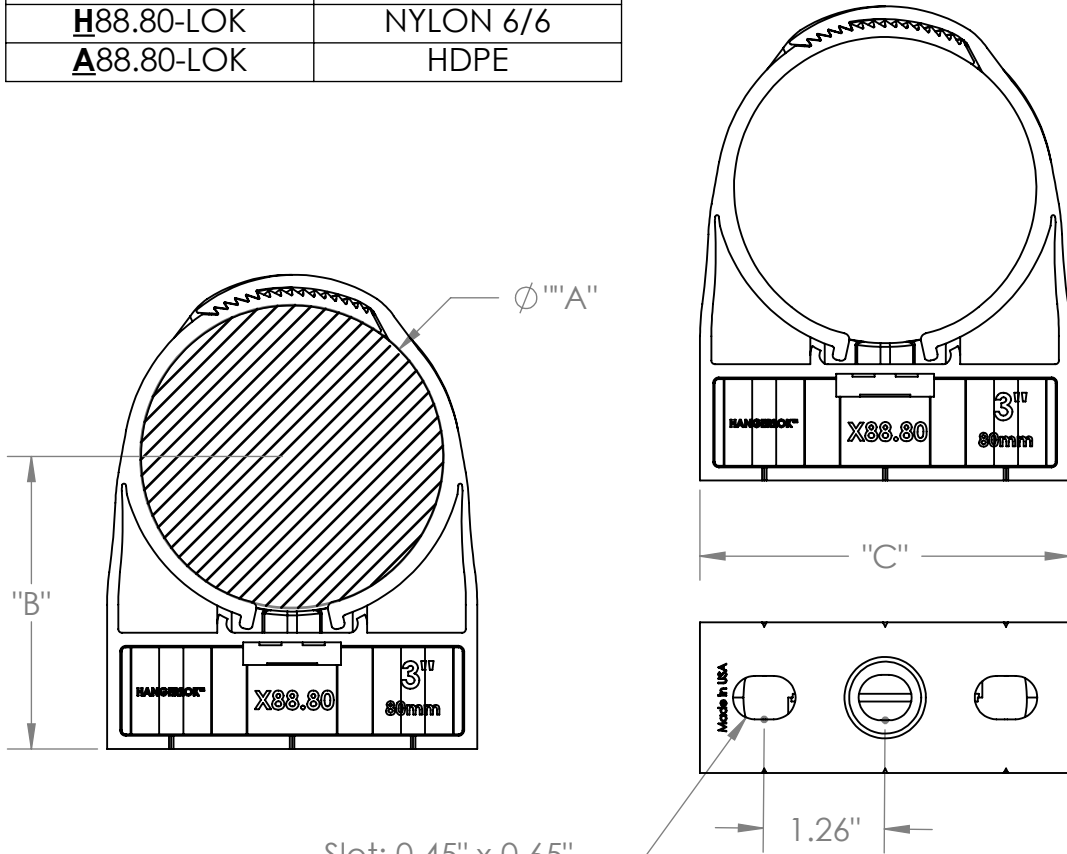
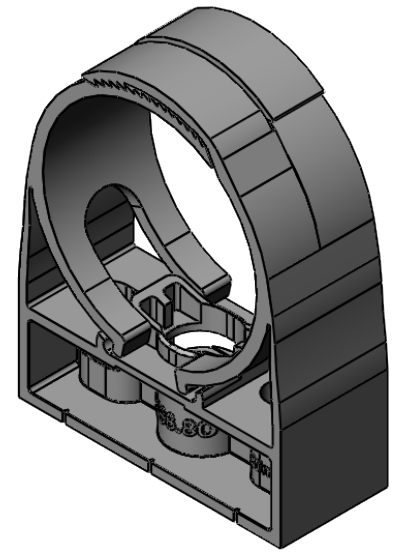
3

2

1

SIZE TABLE	Ø A		B	C	D
	MIN.	MAX.			
INCHES	3.15	3.54	3.04-3.23	3.86	1.57
MM	80	90	-	-	-

PART NUMBER	MATERIAL
H88.80-LOK	NYLON 6/6
A88.80-LOK	HDPE



Slot: 0.45" x 0.65"
x3 places

PROPRIETARY AND CONFIDENTIAL
THE INFORMATION CONTAINED IN THIS DRAWING IS THE SOLE PROPERTY OF LITCHFIELD-HANGERLOK. ANY REPRODUCTION IN PART OR AS A WHOLE WITHOUT THE WRITTEN PERMISSION OF LITCHFIELD_HANGERLOK IS PROHIBITED.

UNLESS OTHERWISE SPECIFIED:	NAME	DATE
DIMENSIONS ARE AS NOTED IN TABLE.	DRAWN JS	11/20/2020
	MFG APPR.	
	Q.A.	
	COMMENTS:	
MATERIAL See Chart		
FINISH -		

Litchfield-HangerLok

TITLE: HANGERLOK #80		
SIZE A	DWG. NO. X88.80-LOK rev A	REV A

DO NOT SCALE DRAWING

SHEET 1 OF 1

4

3

2

1

D

D

C

C

B

B

A

A